

1x500-sheet paper feeder components

Figure 2-15 1x500-sheet paper feeder components

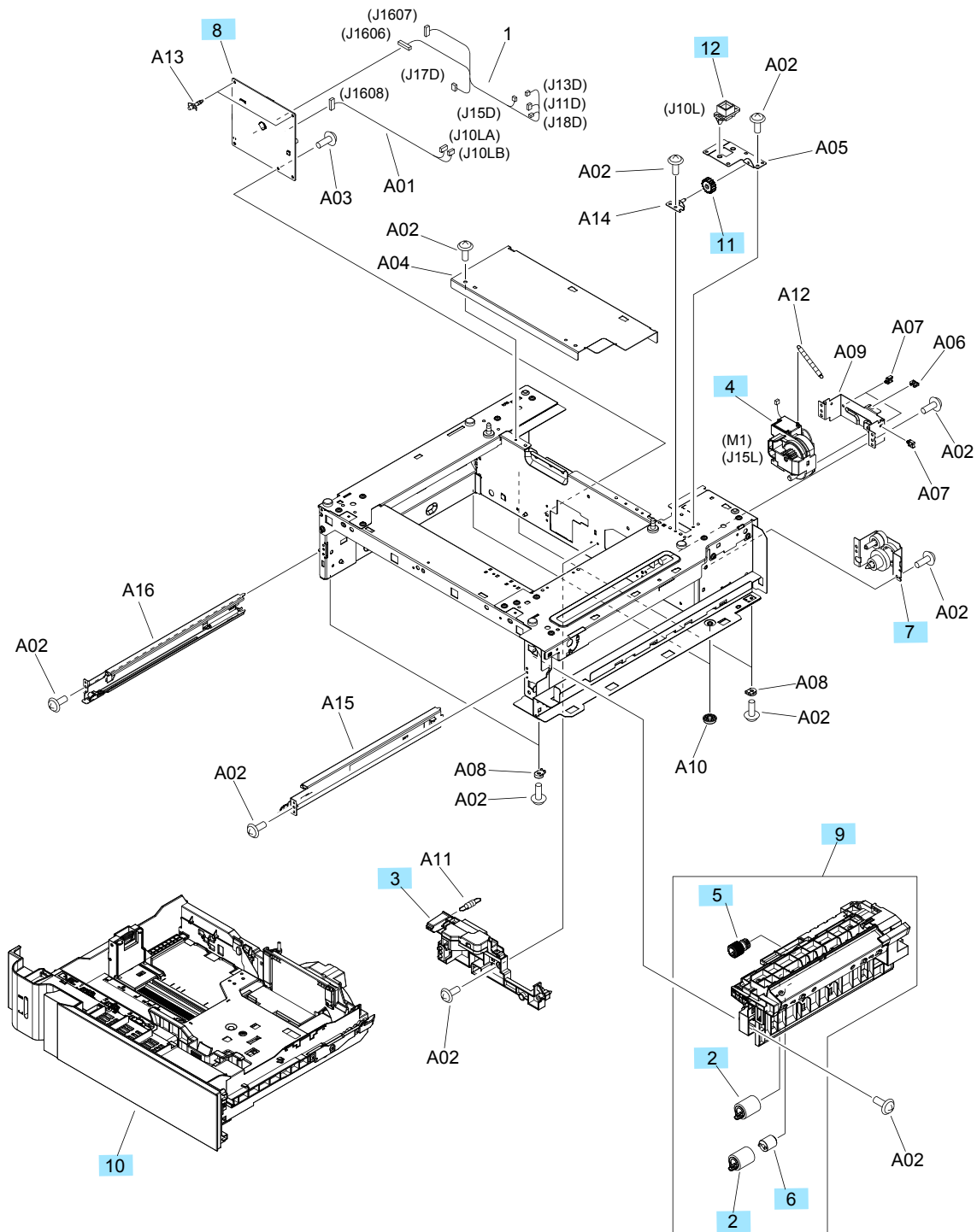


Table 2-21 1x500-sheet paper feeder components

Ref	Description	Part number	Qty
2	Roller, paper feed/separation (1x500-sheet paper feeder) (part of Tray 2–5 roller kit)	B3G84-67905	2
3	Assembly, lifter base (1x500-sheet paper feeder)	RM1-5913-000CN	1
4	Assembly, lifter (M1) (1x500-sheet paper feeder)	RM1-5914-000CN	1
5	Roller, paper pickup (1x500-sheet paper feeder) (part of Tray 2–5 roller kit)	B3G84-67905	1
6	Limiter, torque (1x500-sheet paper feeder)	RC1-3293-000CN	1
7	Assembly, paper pickup drive (1x500-sheet paper feeder)	RM1-5941-000CN	1
8	Assembly, controller PCA (1x500-sheet paper feeder)	RM2-8002-000CN	1
9	Assembly, paper pickup (1x500-sheet paper feeder)	RM2-0341-000CN	1
10	Assembly, cassette (tray) (1x500-sheet paper feeder)	RM2-5094-000CN	1
11	Gear, 16T	RU5-0083-000CN	1
12	Connector, drawer 6P	VS1-7500-006CN	1