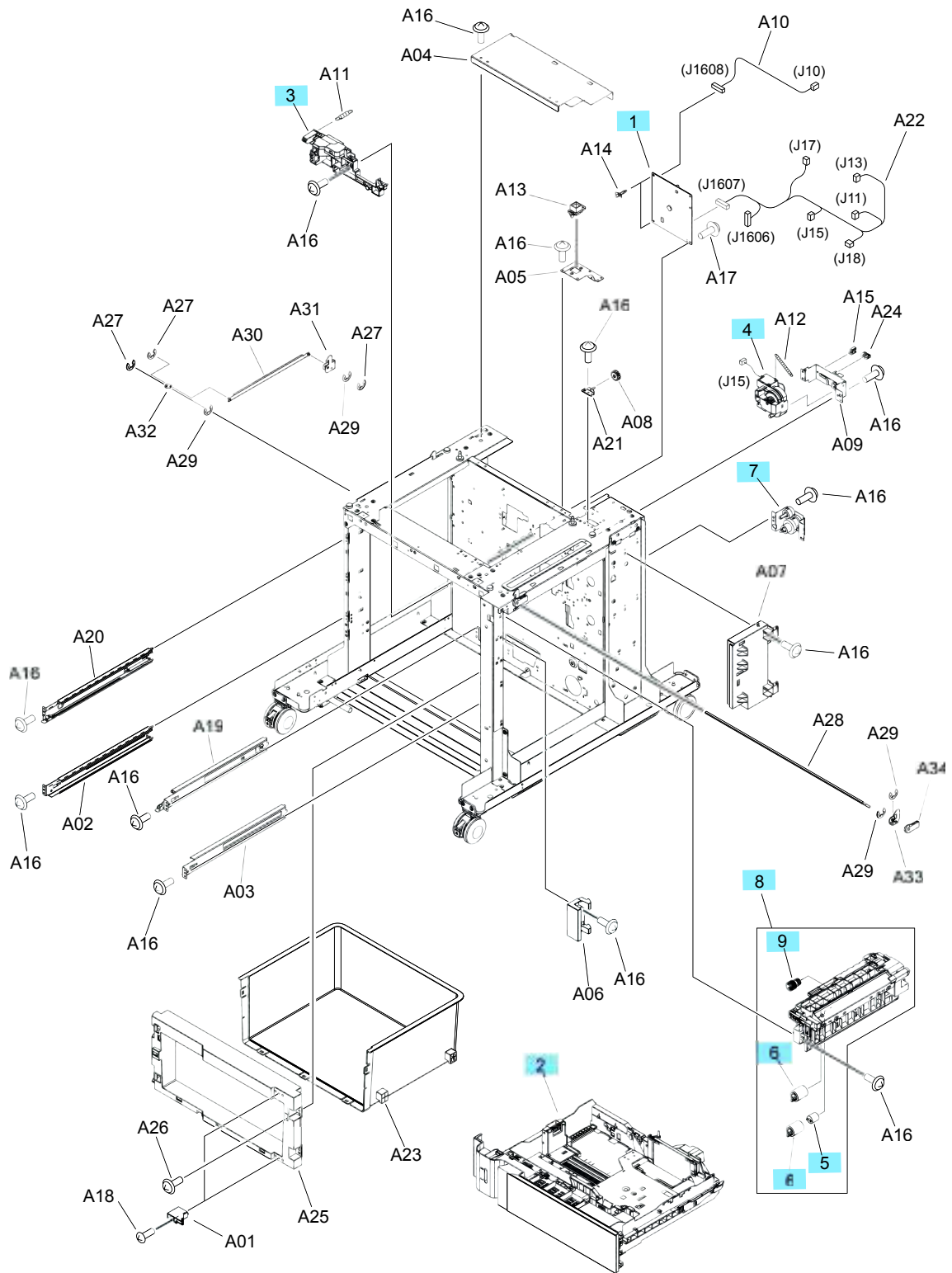


# 1x500-sheet paper feeder with cabinet components

Figure 2-17 1x500-sheet paper feeder with cabinet components



**Table 2-23 1x500-sheet paper feeder with cabinet components**

<b>Ref</b>	<b>Description</b>	<b>Part number</b>	<b>Qty</b>
1	Assembly, controller PCA (1x500-sheet paper feeder with cabinet)	RM2-8002-000CN	1
2	Assembly, cassette (tray) (1x500-sheet paper feeder with cabinet)	RM2-5094-000CN	1
3	Assembly, lifter base (1x500-sheet paper feeder with cabinet)	RM1-5913-000CN	1
4	Assembly, lifter (M1) (1x500-sheet paper feeder with cabinet)	RM1-5914-000CN	1
5	Limiters, torque (1x500-sheet paper feeder with cabinet)	RC1-3293-000CN	1
6	Roller, paper feed/separation (1x500-sheet paper feeder with cabinet) (part of Tray 2–5 roller kit)	B3G84-67905	2
7	Assembly, paper pickup drive (1x500-sheet paper feeder with cabinet)	RM1-5941-000CN	1
8	Assembly, paper pickup (1x500-sheet paper feeder with cabinet)	RM2-0341-000CN	1
9	Roller, paper pickup (1x500-sheet paper feeder with cabinet) (part of Tray 2–5 roller kit)	B3G84-67905	1