

Document feeder and scanner components

Figure 2-1 Document feeder and scanner components

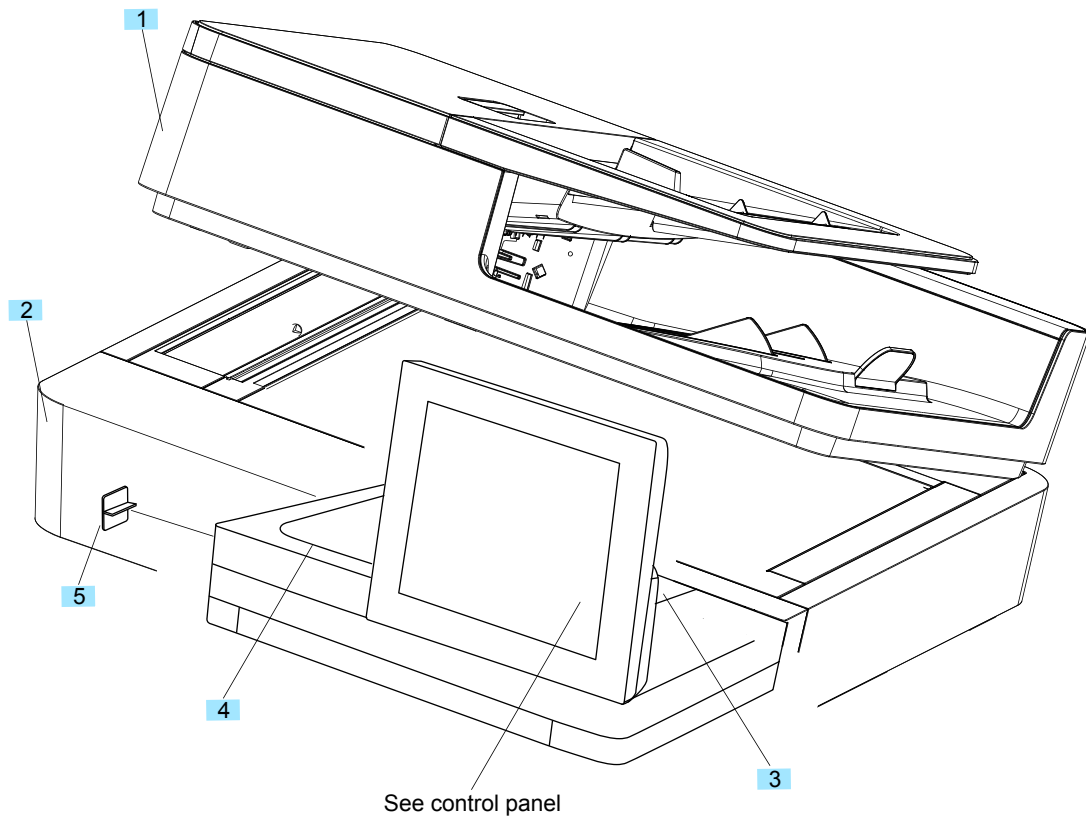


Table 2-7 Document feeder and scanner components

Ref	Description	Part number	Qty
1	Kit, document feeder, complete with white backing ¹	B3G86-67901	1
2	Kit, image scanner assembly, complete with white backing ²	B3G86-67905	1
3	Cover, control panel access	5042-9118	1
4	Cover, HIP	5851-5361	1
5	Cover, USB	5851-5360	1

¹ When the document feeder assembly is replaced, use the [Service](#) menu to set the [Document feeder Kit Interval](#), [ADF Count](#), and [Clean Rollers Count](#) values to zero.

² When the image scanner assembly is replaced, use the [Service](#) menu to set the [Flatbed Count](#) value to zero.