

Document feeder components (2 of 2)

Figure 2-3 Document feeder components (2 of 2)

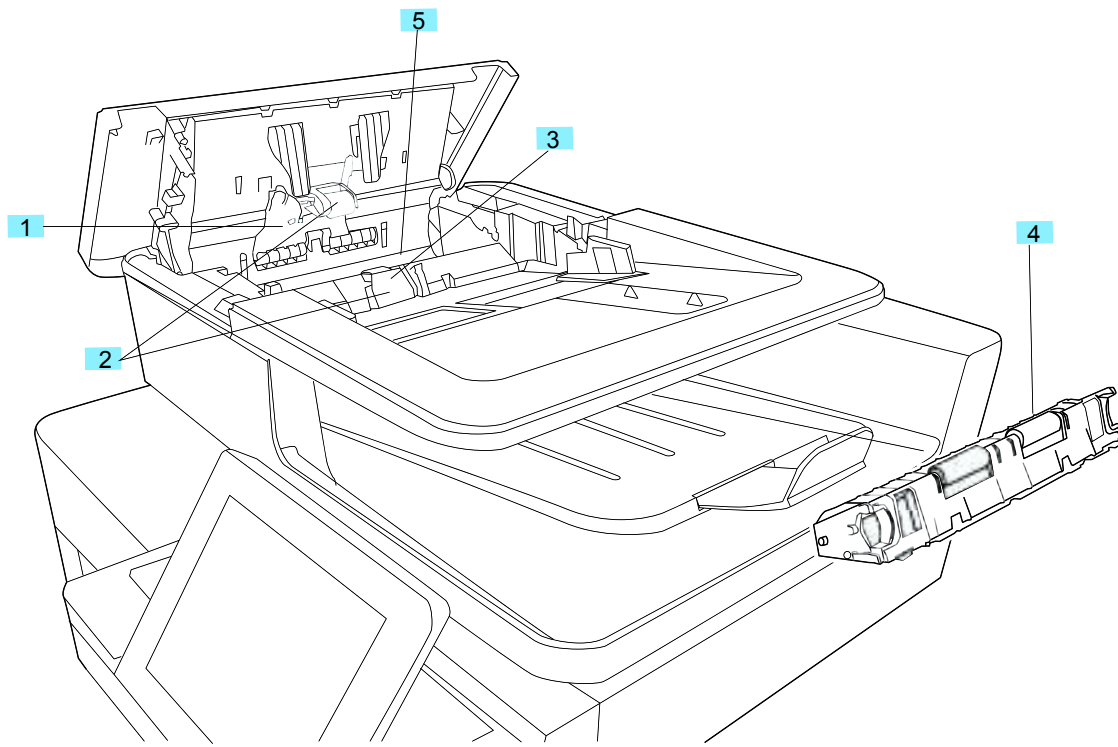


Table 2-9 Document feeder components (2 of 2)

Ref	Description	Part number	Qty
1	Cover, document-feeder roller	CC355-40013	1
2	Kit, ADF roller maintenance (includes roller and separation pad)	L2725-60002	1
3	Kit, ADF separation pad spring	5851-4879	1
4	Kit, background selector for backside scan	5851-5022	1
5	Kit, document feeder mylar strip	B3G86-67903	2