

Covers

Figure 2-6 Covers

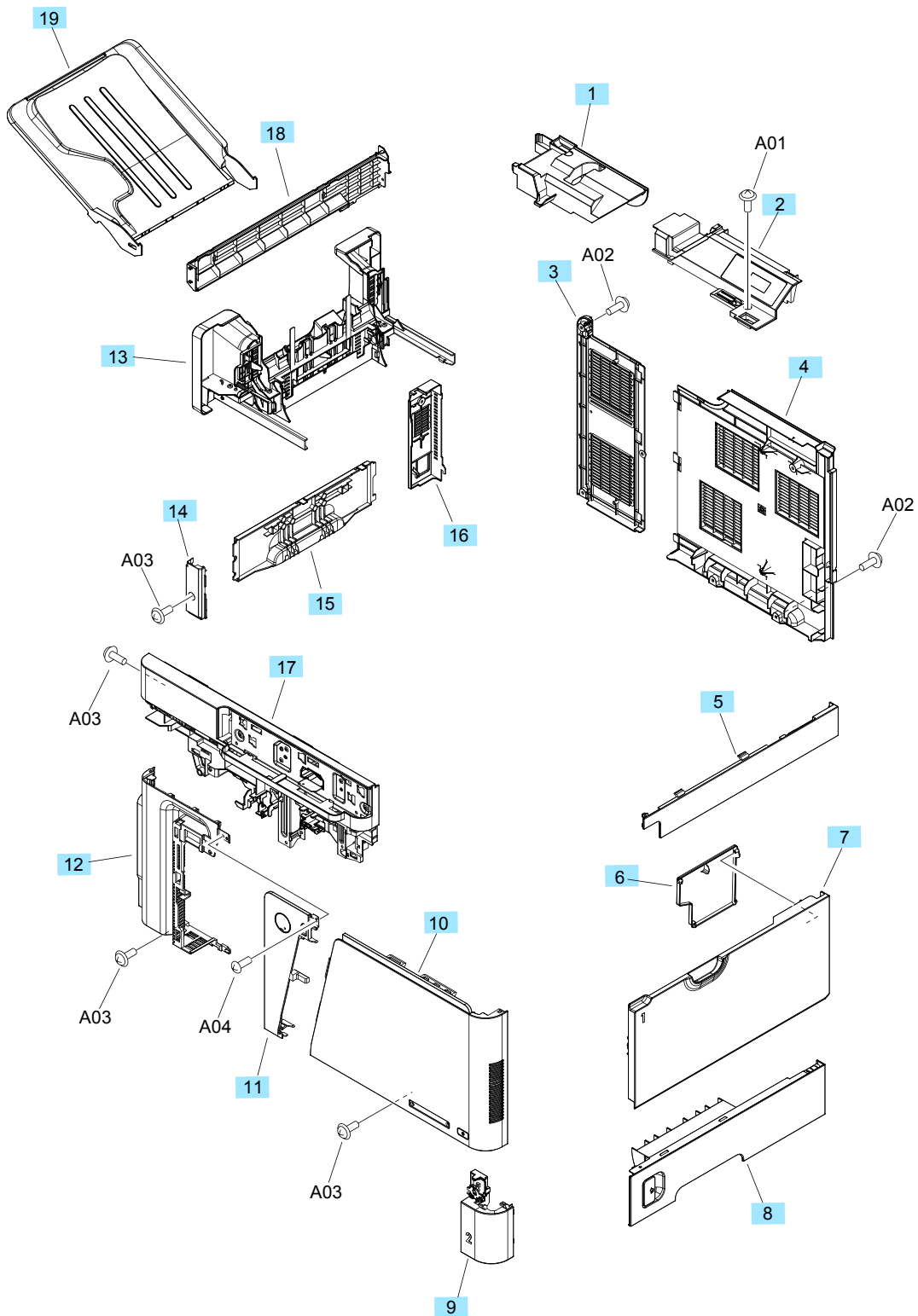


Table 2-12 Covers

Ref	Description	Part number	Qty
1	Cover, IS cable	RC4-1575-000CN	1
2	Cover, rear top	RC4-1574-000CN	1
3	Cover, rear left	RC4-5692-000CN	1
4	Cover, rear right	RL2-0999-000CN	1
5	Cover, IS right	RC4-1527-000CN	1
6	Cover, MP (Tray 1) inner	RC4-3948-000CN	1
7	Assembly, MP (Tray 1) cover	RM2-5816-000CN	1
8	Assembly, right lower door	RM2-5820-000CN	1
9	Assembly, power switch	RM2-5818-000CN	1
10	Kit, front cover assembly	B3G85-67905	1
11	Panel, logo	RL2-1000-000CN	1
12	Cover, front left	RC4-1515-000CN	1
13	Assembly, tray base (part of output bin assembly kit)	B3G84-69702	1
14	Cover, front left lower	RC4-5717-000CN	1
15	Cover, cassette (Tray 2) left	RC4-1573-000CN	1
16	Cover, side rear	RC4-5716-000CN	1
17	Assembly, front top cover	RM2-5814-000CN	1
18	Cover, IS left lower	RC4-5693-000CN	1
19	Assembly, paper delivery tray (part of output bin assembly kit)	B3G84-69702	1