

Envelope feeder components (1 of 2)

Figure 2-25 Envelope feeder components (1 of 2)

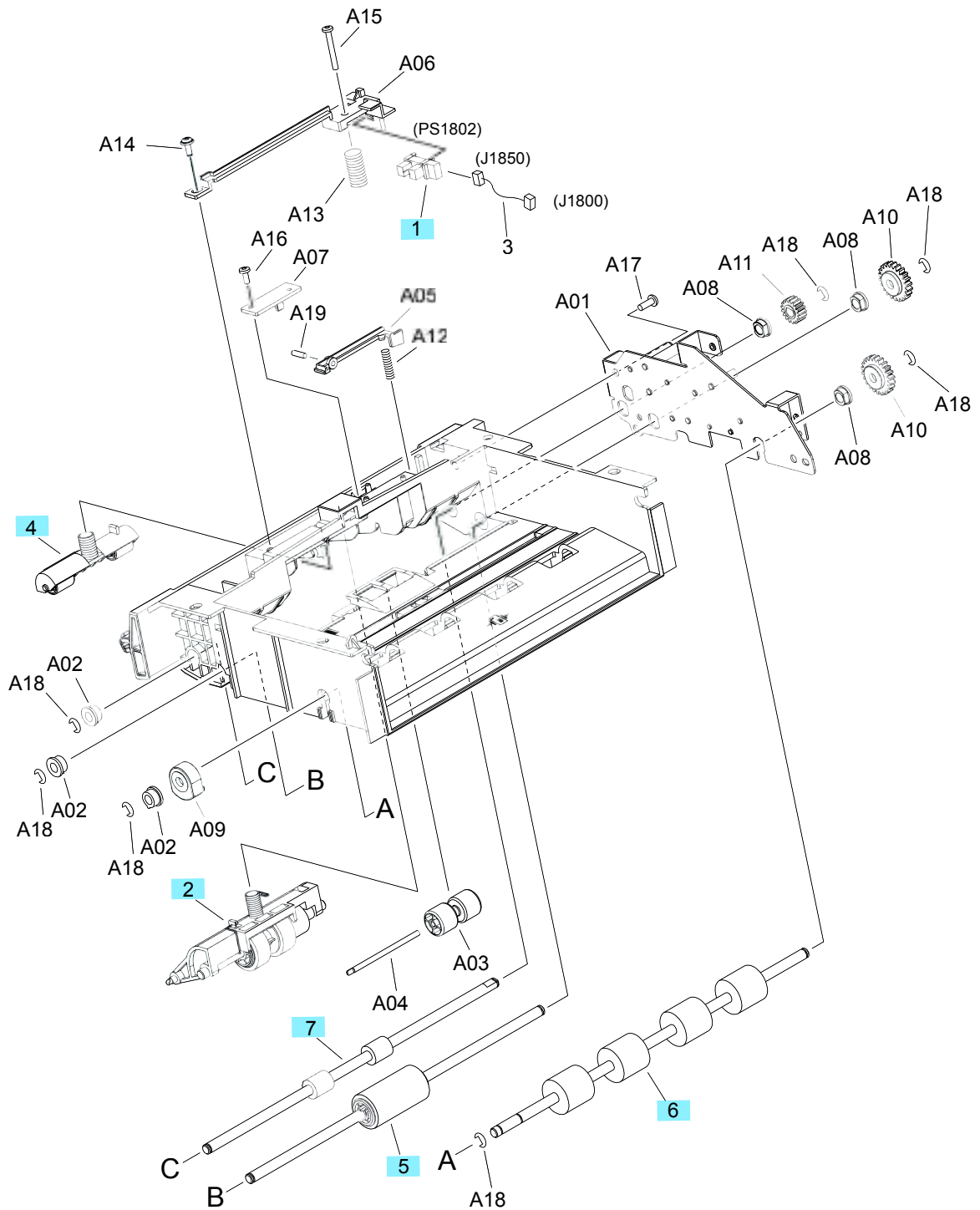


Table 2-31 Envelope feeder components (1 of 2)

Ref	Description	Part number	Qty
1	Photointerrupter (PS1802) (envelope feeder)	WG8-5624-000CN	1
2	Assembly, separation roller (envelope feeder)	RM1-5224-000CN	1
4	Assembly, paper-feed roller (envelope feeder)	RM1-5223-000CN	1
5	Assembly, paper pickup roller (envelope feeder)	RM1-5221-000CN	1
6	Roller, paper pickup (envelope feeder)	RC2-5700-000CN	1
7	Roller, paper-feed (envelope feeder)	RC2-5701-000CN	1