

Envelope feeder components (2 of 2)

Figure 2-26 Envelope feeder components (2 of 2)

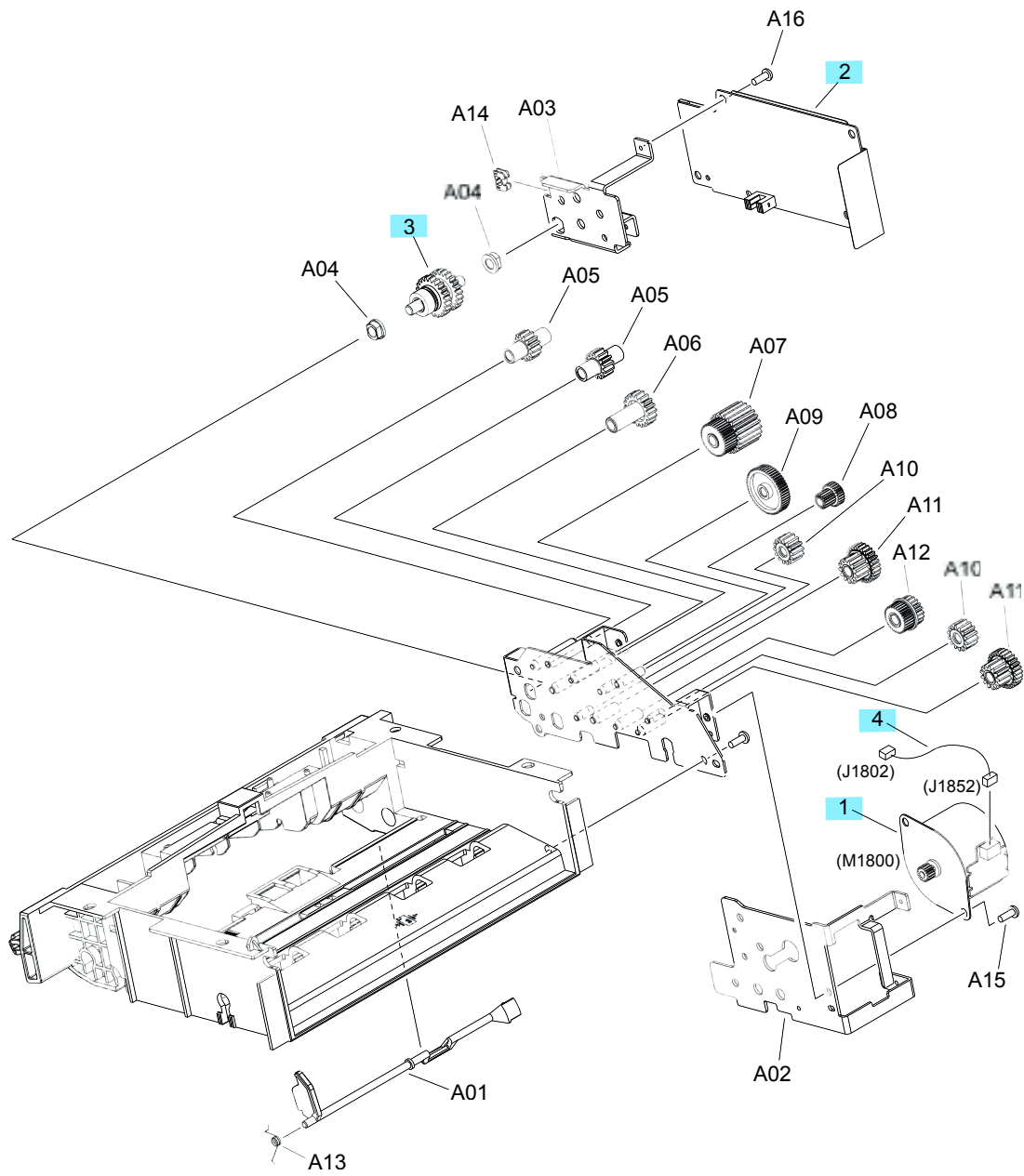


Table 2-32 Envelope feeder components (2 of 2)

Ref	Description	Part number	Qty
1	Motor, stepping DC24V (M1800) (envelope feeder)	RK2-2162-000CN	1
2	Assembly, controller PCA (envelope feeder)	RM2-8134-000CN	1
3	Assembly, joint shaft (envelope feeder)	RM1-5222-000CN	1
4	Cable, paper feed motor (envelope feeder)	RM1-5238-000CN	1