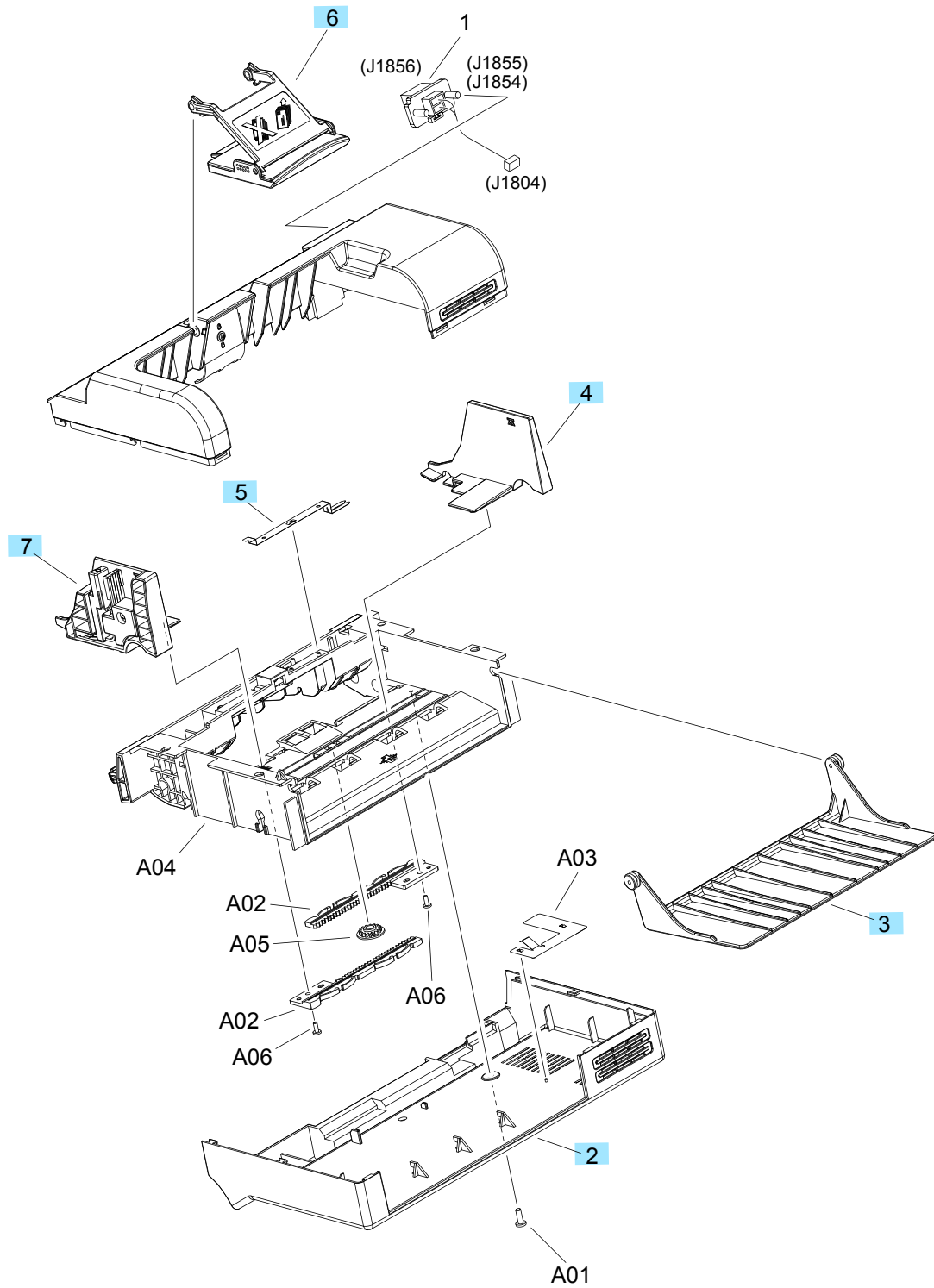


# Envelope feeder

## Envelope feeder covers

Figure 2-24 Envelope feeder covers



**Table 2-30 Envelope feeder covers**

| <b>Ref</b> | <b>Description</b>                         | <b>Part number</b> | <b>Qty</b> |
|------------|--|--------------------|------------|
| 2          | Cover, lower (envelope feeder)             | RC4-6105-000CN     | 1          |
| 3          | Tray, extension (envelope feeder)          | RC4-6106-000CN     | 1          |
| 4          | Plate, width limit right (envelope feeder) | RC4-6107-000CN     | 1          |
| 5          | Plate, grounding 1 (envelope feeder)       | RC2-5688-000CN     | 1          |
| 6          | Assembly, weight (envelope feeder)         | RM2-6170-000CN     | 1          |
| 7          | Assembly, paper side end (envelope feeder) | RM2-6171-000CN     | 1          |