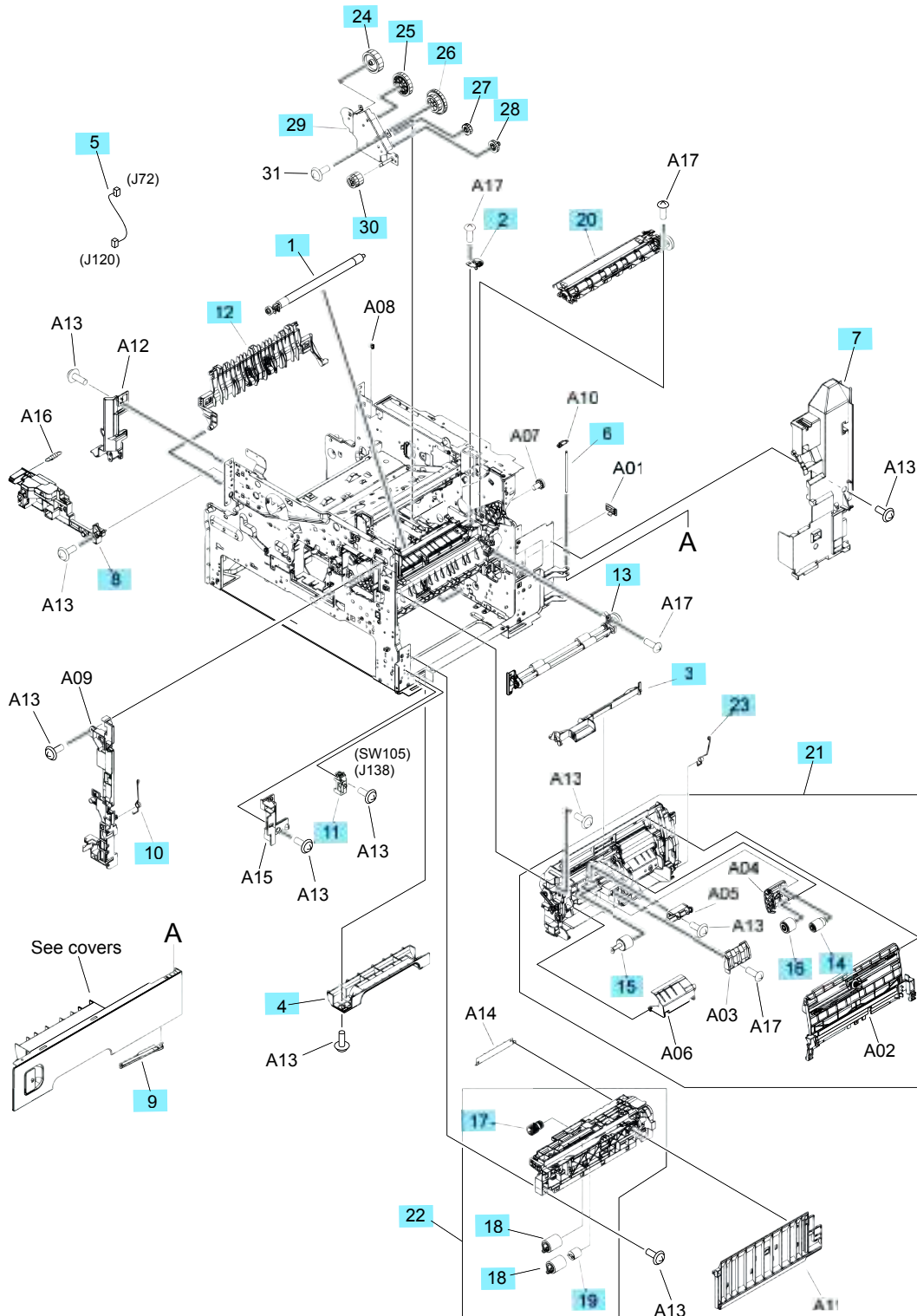


# Internal components

## Internal components (1 of 5)

Figure 2-8 Internal components (1 of 5)



**Table 2-14 Internal components (1 of 5)**

<b>Ref</b>	<b>Description</b>	<b>Part number</b>	<b>Qty</b>
1	Kit, transfer roller	B3G84-67901	1
2	Assembly, grounding plate	RM1-5461-000CN	1
3	Cover, envelope	RL1-2831-000CN	1
4	Cover, handle right lower	RC4-5706-000CN	1
5	Cable, size detect (SW102)	RM1-7179-000CN	1
6	Shaft, right door hinge	RU5-4142-000CN	1
7	Cover, MP (Tray 1) gear	RC4-1572-000CN	1
8	Assembly, lifter base	RM1-5913-000CN	1
9	Rod, link	RC1-2902-000CN	1
10	Spring, torsion	RC2-8085-000CN	1
11	Assembly, right door sensor (SW105)	RM1-1045-000CN	1
12	Kit, fuser-entrance guide	B3G84-67904	1
13	Assembly, paper feed roller	RM1-8411-010CN	1
14	Roller, Tray 1 pickup (part of Tray 1 roller kit)	B3G84-67906	1
15	Roller, Tray 1 separation (part of Tray 1 roller kit)	B3G84-67906	1
16	Roller, Tray 1 feed (part of Tray 1 roller kit)	B3G84-67906	1
17	Roller, Tray 2 pickup (part of Tray 2-5 roller kit)	B3G84-67905	1
18	Roller, Tray 2 feed (part of Tray 2-5 roller kit)	B3G84-67905	2
19	Limiters, torque	RC1-3293-000CN	1
20	Assembly, registration	RM1-8413-000CN	1
21	Assembly, MP (Tray 1) pickup	RM2-5822-000CN	1
22	Assembly, paper pickup	RM1-5919-000CN	1
23	Spring, torsion	RC3-1470-000CN	1
24	Gear, 33T	RU7-0292-000CN	1
25	Gear, 35T	RU7-0303-000CN	1
26	Gear, 91T/25T	RU7-0290-000CN	1
27	Gear, 15T	RU7-0294-000CN	1
28	Gear, 17T	RU7-0293-000CN	1
29	Side plate, fuser drive	RL1-3024-000CN	1
30	Gear, 23T/19T	RU7-0295-000CN	1