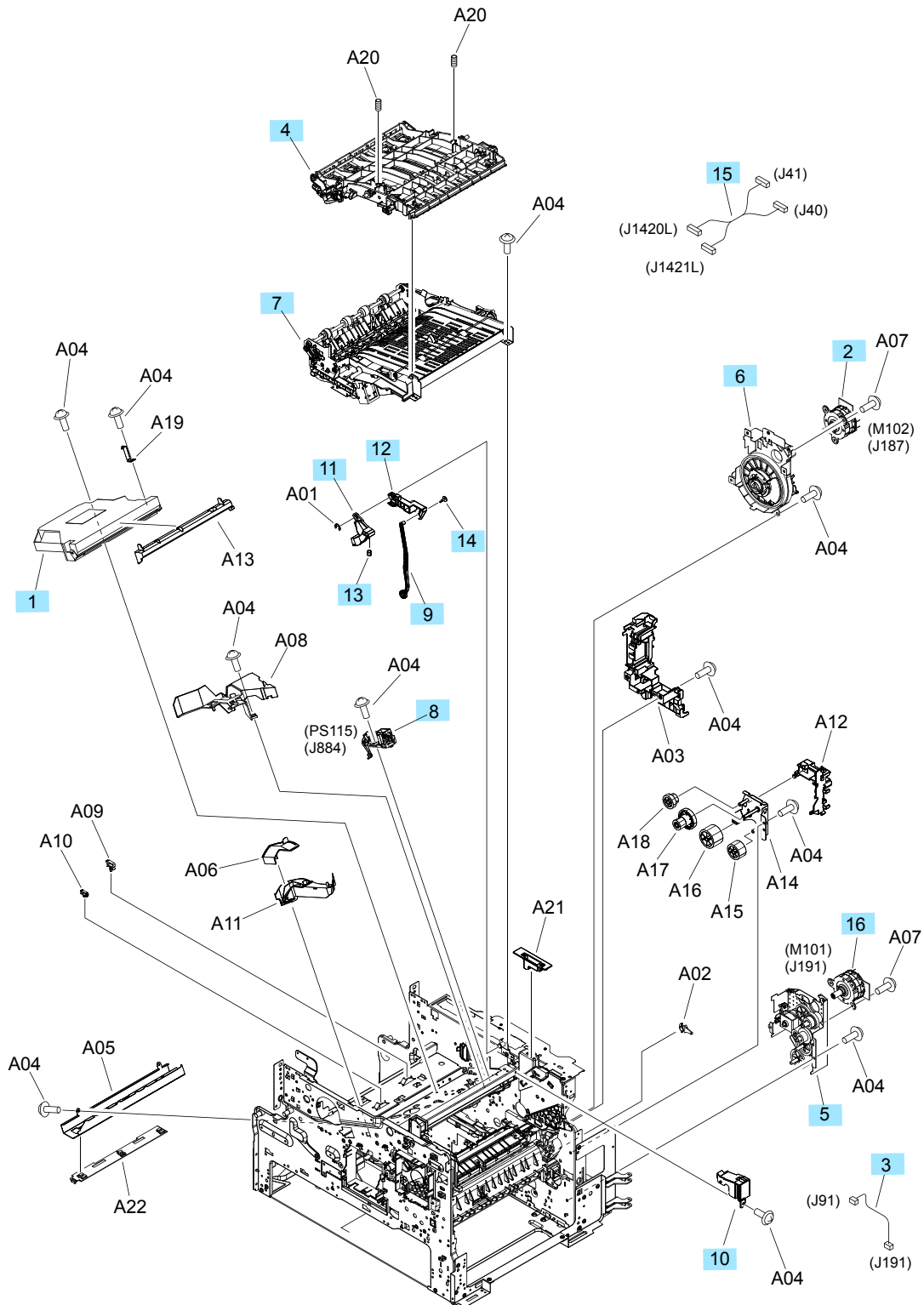


## Internal components (2 of 5)

Figure 2-9 Internal components (2 of 5)



**Table 2-15 Internal components (2 of 5)**

<b>Ref</b>	<b>Description</b>	<b>Part number</b>	<b>Qty</b>
1	Assembly, laser/scanner	RM1-8406-000CN	1
2	Assembly, drum motor (M102)	RM1-8358-000CN	1
3	Assembly, feed motor cable	RM2-7470-000CN	1
4	Assembly, reverse guide	RM2-5810-000CN	1
5	Assembly, paper pickup drive	RM2-5804-000CN	1
6	Assembly, drum drive	RM2-5918-000CN	1
7	Assembly, reverse	RM2-5799-000CN	1
8	Assembly, cartridge sensor (PS115)	RM1-8323-000CN	1
9	Rod, release	RC2-8086-000CN	1
10	Cover, door arm	RC1-2833-000CN	1
11	Arm, door B	RC2-7967-000CN	1
12	Arm, door 1	RC4-5728-000CN	1
13	Spring, compression	RU5-2265-000CN	1
14	Stopper, bushing arm	RC1-3090-000CN	1
15	Assembly, reverse joint cable	RM2-7487-000CN	1
16	Assembly, feed motor (M101)	RM2-5942-000CN	1