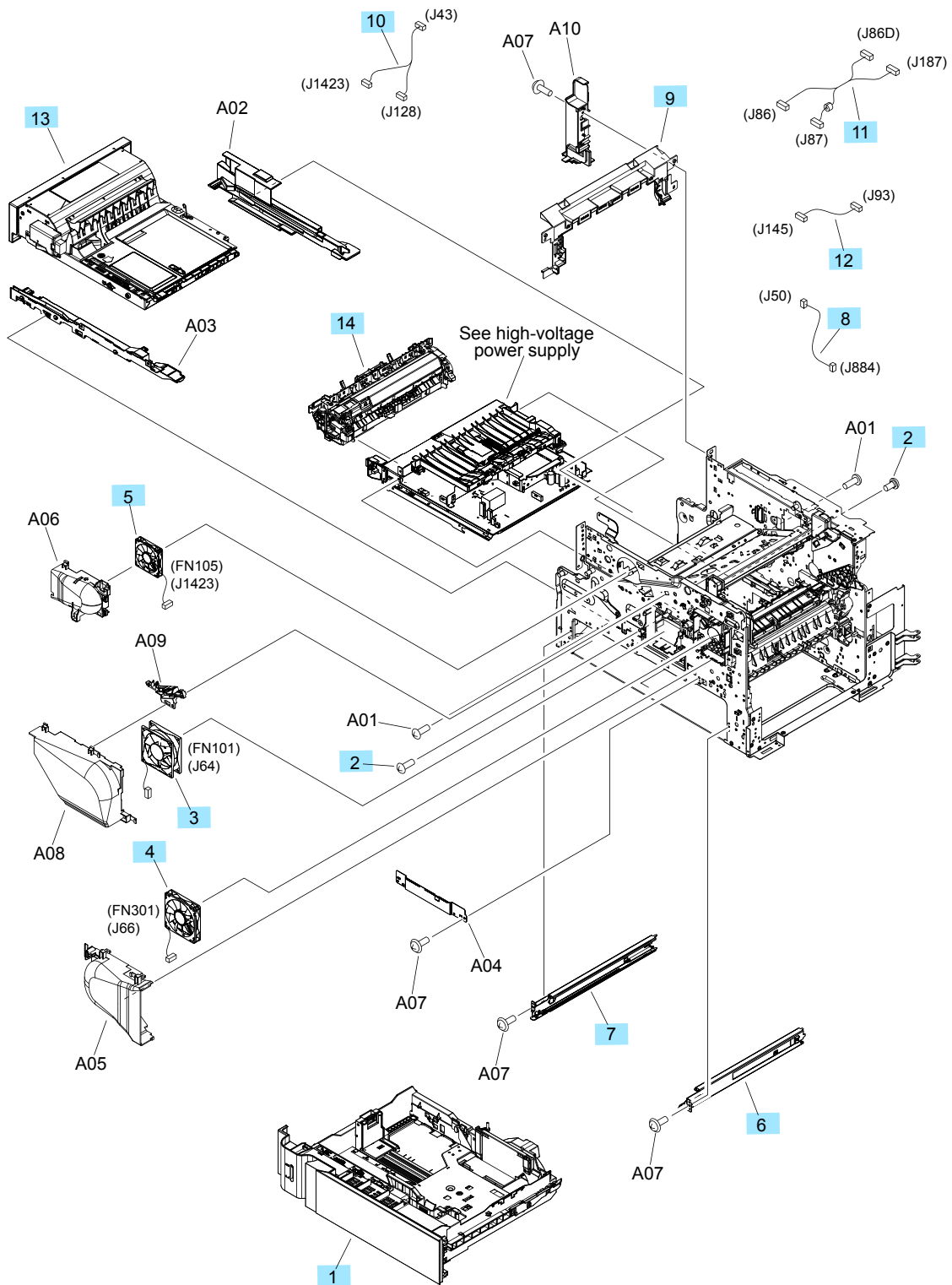


## Internal components (3 of 5)

Figure 2-10 Internal components (3 of 5)



**Table 2-16 Internal components (3 of 5)**

<b>Ref</b>	<b>Description</b>	<b>Part number</b>	<b>Qty</b>
1	Cassette (Tray 2)	RM2-5094-000CN	1
2	Screw, M4x5	RC2-2633-000CN	2
3	Fan (FN101)	RK2-1988-000CN	1
4	Fan (FN301)	RK2-3244-000CN	1
5	Fan (FN105)	RK2-0280-000CN	1
6	Assembly, cassette (Tray 2) right rail	RM1-5931-000CN	1
7	Assembly, cassette (Tray 2) left rail	RM1-5932-000CN	1
8	Assembly, cartridge sensor cable	RM2-7477-000CN	1
9	Shroud, center	RL2-0995-000CN	1
10	Assembly, reverse fan cable	RM2-7486-000CN	1
11	Assembly, scanner joint cable	RM2-7471-000CN	1
12	Assembly, laser scanner cable	RM2-7482-000CN	1
13	Kit, duplex assembly	B3G84-67903	1
14	Kit, fuser replacement, 110V	B3M77-67903	1
14	Kit, fuser replacement, 220V	B3M78-67903	1