

Stapling mailbox components (1 of 2)

Figure 2-22 Stapling mailbox components (1 of 2)

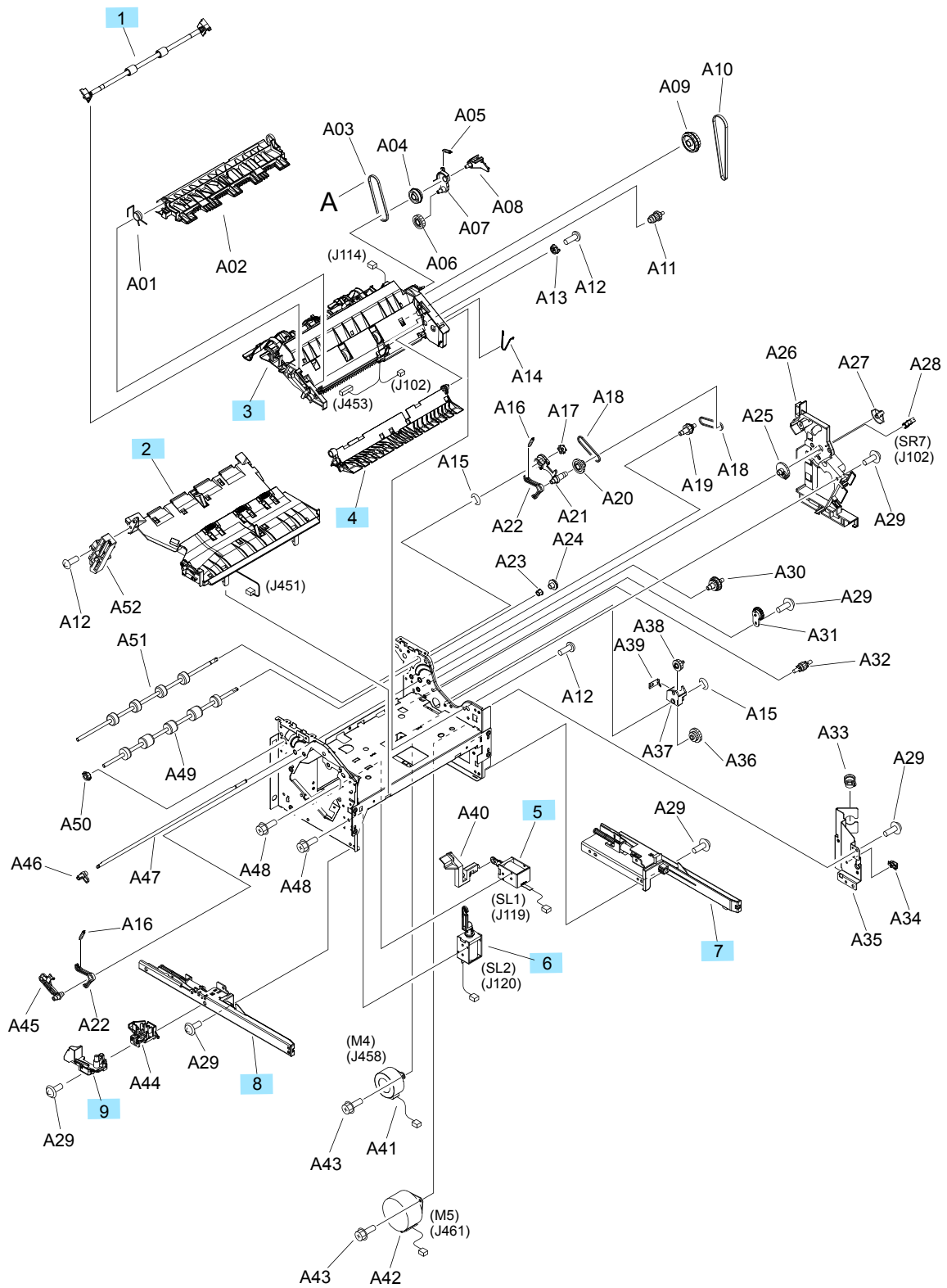


Table 2-28 Stapling mailbox components (1 of 2)

| Ref | Description | Part number | Qty |
|------------|-----------------------------------------------------|--------------------|------------|
| 1 | Assembly, paper feed roller (stapling mailbox) | RM1-6332-000CN | 1 |
| 2 | Assembly, stage (stapling mailbox) | RM1-5159-000CN | 1 |
| 3 | Subassembly, stage top (stapling mailbox) | RM1-7437-010CN | 1 |
| 4 | Assembly, paper feed guide (stapling mailbox) | RM1-5173-000CN | 1 |
| 5 | Assembly, stamp solenoid (SL1) (stapling mailbox) | RM1-6664-000CN | 1 |
| 6 | Assembly, entrance solenoid (SL2)(stapling mailbox) | RM1-6663-000CN | 1 |
| 7 | Assembly, rail rear (stapling mailbox) | RM1-6327-000CN | 1 |
| 8 | Assembly, rail front (stapling mailbox) | RM1-6326-000CN | 1 |
| 9 | Assembly, interlock (stapling mailbox) | RM1-7431-000CN | 1 |