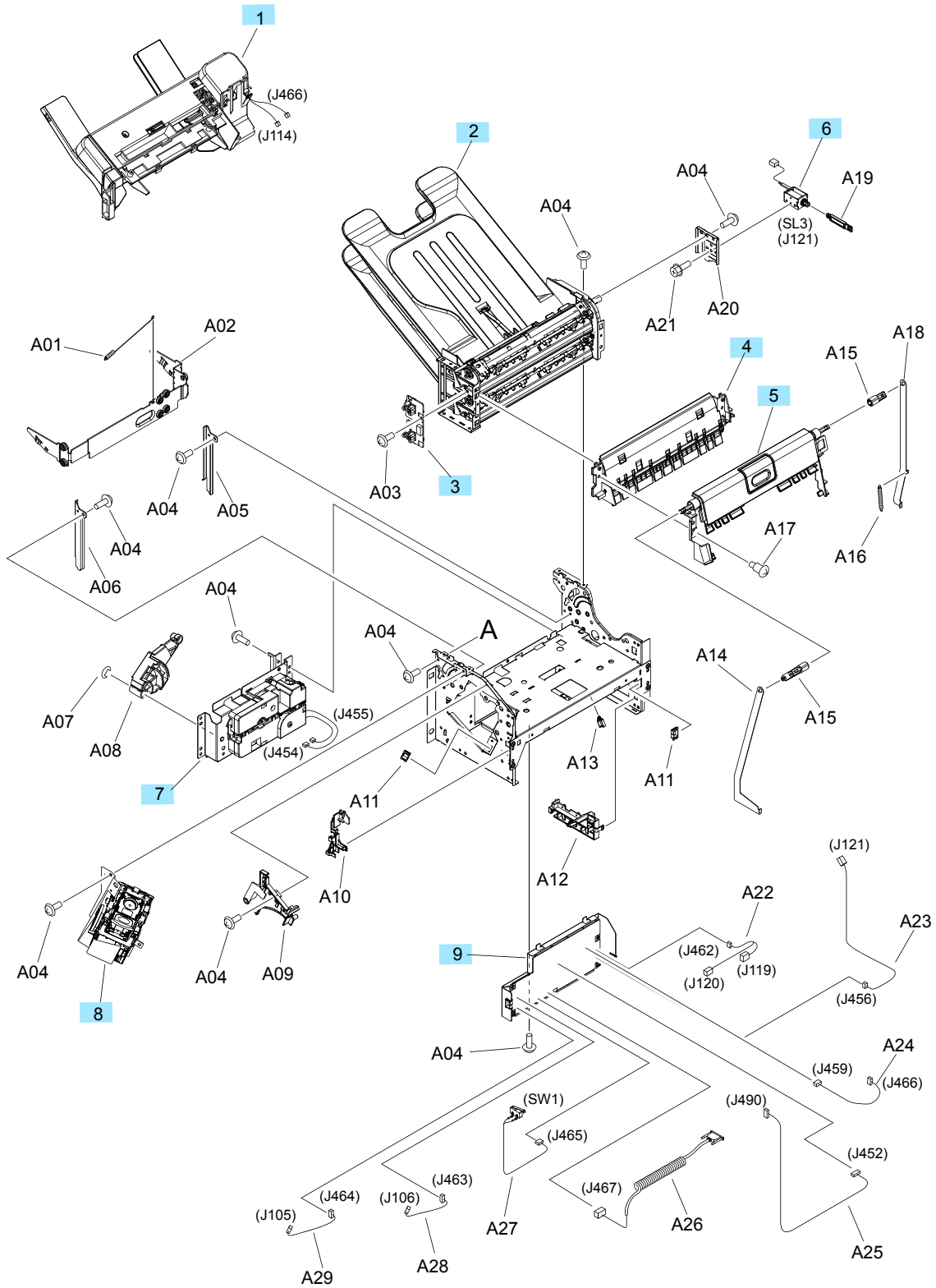


## Stapling mailbox components (2 of 2)

Figure 2-23 Stapling mailbox components (2 of 2)



**Table 2-29 Stapling mailbox components (2 of 2)**

<b>Ref</b>	<b>Description</b>	<b>Part number</b>	<b>Qty</b>
1	Assembly, jog (stapling mailbox)	RM2-5235-000CN	1
2	Assembly, bin (stapling mailbox)	RM2-5242-000CN	1
3	Assembly, bin sensor PCA (stapling mailbox)	RM1-5894-000CN	1
4	Assembly, flapper (stapling mailbox)	RM1-5157-000CN	1
5	Assembly, handle	RM2-5277-000CN	1
6	Assembly, bin solenoid (SL3) (stapling mailbox)	RM1-5896-000CN	1
7	Assembly, output bin 3 drive (stapling mailbox)	RM1-5156-000CN	1
8	Assembly, stapler (stapling mailbox)	RM1-5166-000CN	1
9	Assembly, driver PCA (stapling mailbox)	RM2-5278-000CN	1