

Upper plate assembly

Figure 2-7 Upper plate assembly

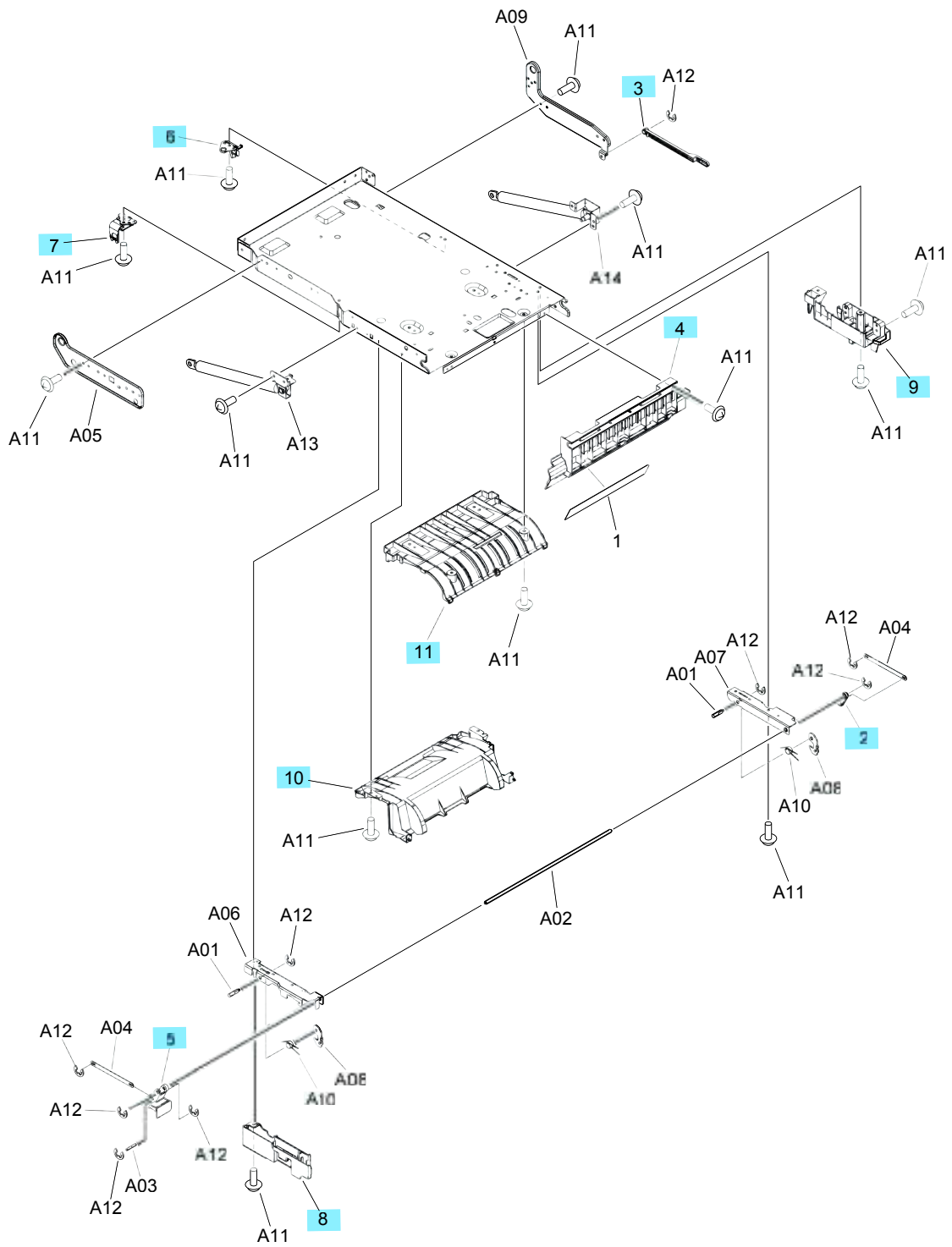


Table 2-13 Upper plate assembly

Ref	Description	Part number	Qty
2	Link, handle	RC1-2822-000CN	1
3	Rod, link	RC4-5729-000CN	1
4	Holder, shutter, light	RC4-5707-000CN	1
5	Handle, lock	RC4-5690-000CN	1
6	Block upper guide support, rear	RC4-1531-000CN	1
7	Block upper guide support, front	RC4-1530-000CN	1
8	Cover, IS lock, front	RC4-5721-000CN	1
9	Cover, IS lock, rear	RC4-1537-000CN	1
10	Guide, cartridge, upper	RC4-1529-000CN	1
11	Guide, legal	RC2-8029-000CN	1