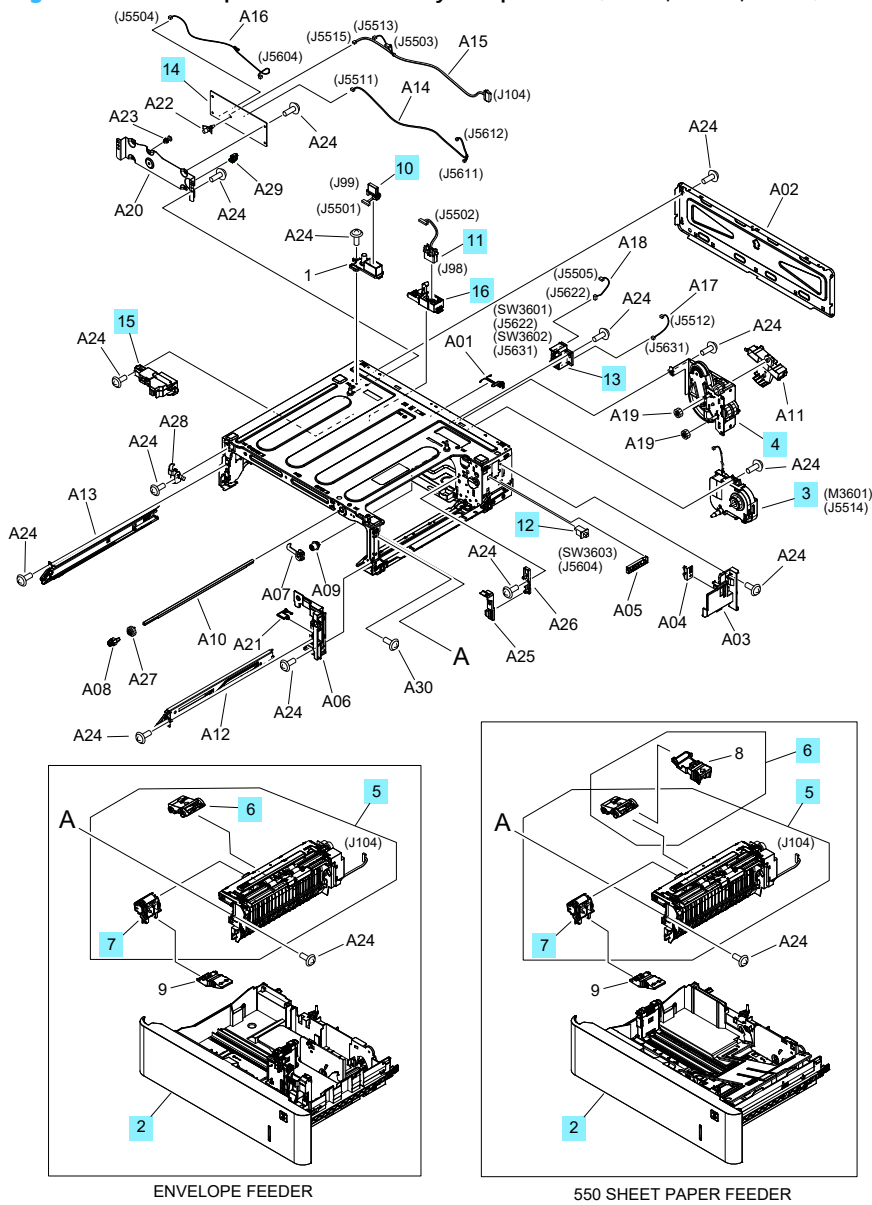


# Envelope feeder main body components (M631, M632, M633)

Figure 2-22 Envelope feeder main body components (M631, M632, M633)



**Table 2-25 Envelope feeder main body components (M631, M632, M633)**

| <b>Ref</b> | <b>Description</b>               | <b>Part number</b> | <b>Qty</b> |
|------------|----------------------------------|--------------------|------------|
| 1          | Holder ,Drawer Connector         | RC4-8914-000CN     | 1          |
| 2          | Cassette Assy                    | RM2-1138-000CN     | 1          |
| 3          | Lifter Drive Assy (M3601)        | RM2-0895-000CN     | 1          |
| 4          | Feeder Drive Assy                | RM2-0875-000CN     | 1          |
| 5          | Paper Pickup Assy                | RM2-1140-000CN     | 1          |
| 6          | Envelope Feeder Roller Kit       | J8J90-67902        | 1          |
| 7          | Envelope Feeder Roller Kit       | J8J90-67902        | 1          |
| 10         | Option Upper Cable Assy          | RM2-8880-000CN     | 1          |
| 11         | Option Lower Cable Assy          | RM2-8881-000CN     | 1          |
| 12         | Switch, Push (SW3603)            | WC2-5803-000CN     | 1          |
| 13         | Size Sensor Assy (SW3601/SW3602) | RM2-0857-000CN     | 1          |
| 14         | Feeder Controller PCA Assy       | RM2-8785-000CN     | 1          |
| 15         | Auto Close Assy                  | RM2-0856-000CN     | 1          |
| 16         | Holder, Drawer                   | RC4-8393-000CN     | 1          |