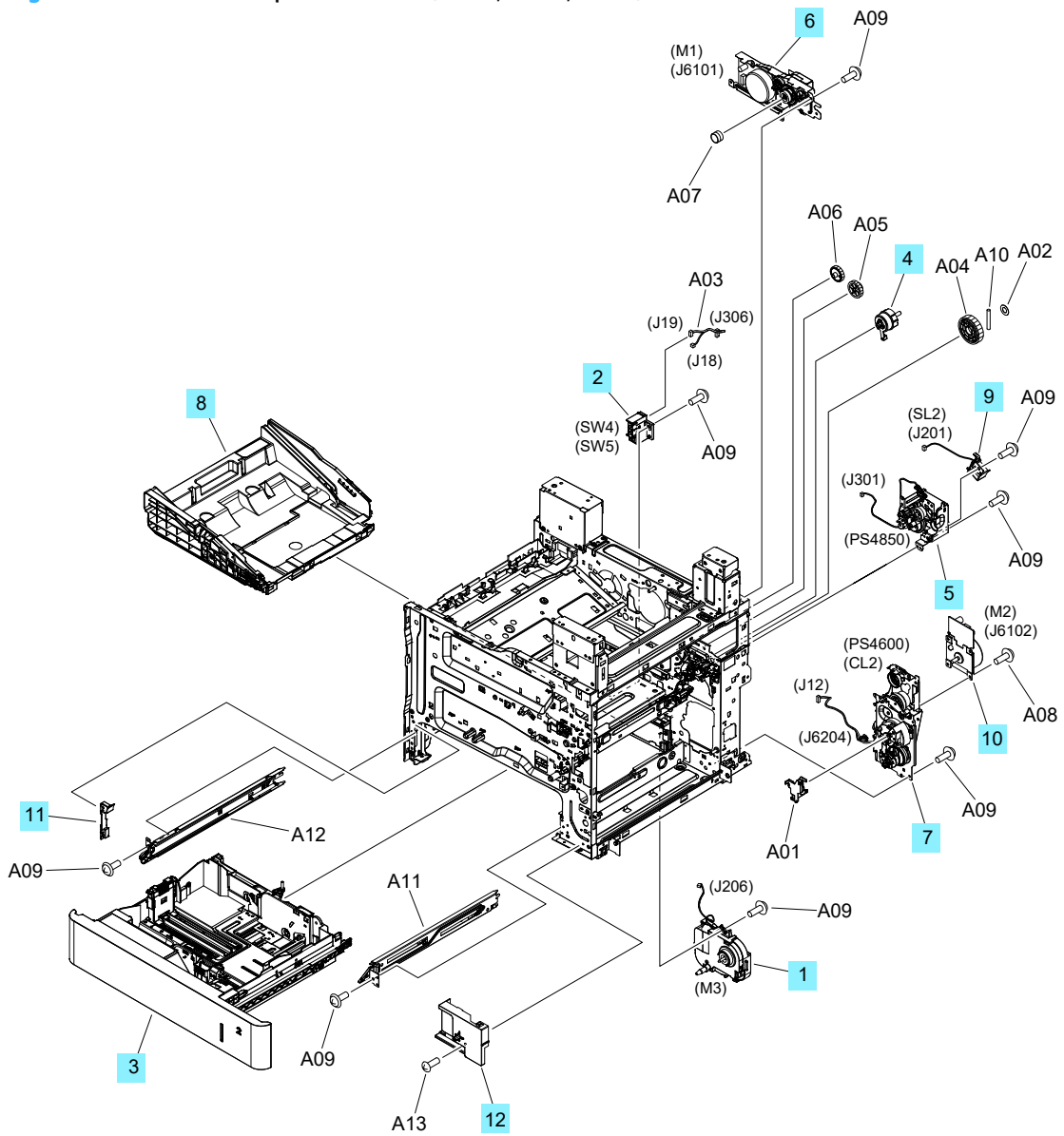


## Internal components 2 of 5 (M632, M632, M633)

Figure 2-11 Internal components 2 of 5 (M632, M632, M633)



**Table 2-14 Internal components 2 of 5 (M632, M632, M633)**

| <b>Ref</b> | <b>Description</b>             | <b>Part number</b> | <b>Qty</b> |
|------------|--------------------------------|--------------------|------------|
| 1          | Lifter Drive Assy (M3)         | RM2-0854-000CN     | 1          |
| 2          | Size Sensor Assy (SW4/SW5)     | RM2-0857-000CN     | 1          |
| 3          | Cassette (Tray 2)              | RM2-0858-000CN     | 1          |
| 4          | Developing Gear Assy           | RM2-1258-000CN     | 1          |
| 5          | Developing Drive Assy (PS4850) | RM2-6756-000CN     | 1          |
| 6          | Fuser Drive Assy (M1)          | RM2-6763-000CN     | 1          |
| 7          | Main Drive Assy (PS46020, CL2) | RM2-6777-000CN     | 1          |
| 8          | Cartridge Tray Assy            | RM2-6792-000CN     | 1          |
| 9          | Developing Solenoid Assy (SL2) | RM2-9051-000CN     | 1          |
| 10         | Drum Motor Assy (M2)           | RM2-9316-000CN     | 1          |
| 11         | Cover, Inner Left              | RC4-8532-000CN     | 1          |
| 12         | Cover, Inner Right             | RC4-8533-000CN     | 1          |