

Internal components 5 of 5 (M631, M632, M633)

Figure 2-14 Internal components 5 of 5 (M631, M632, M633)

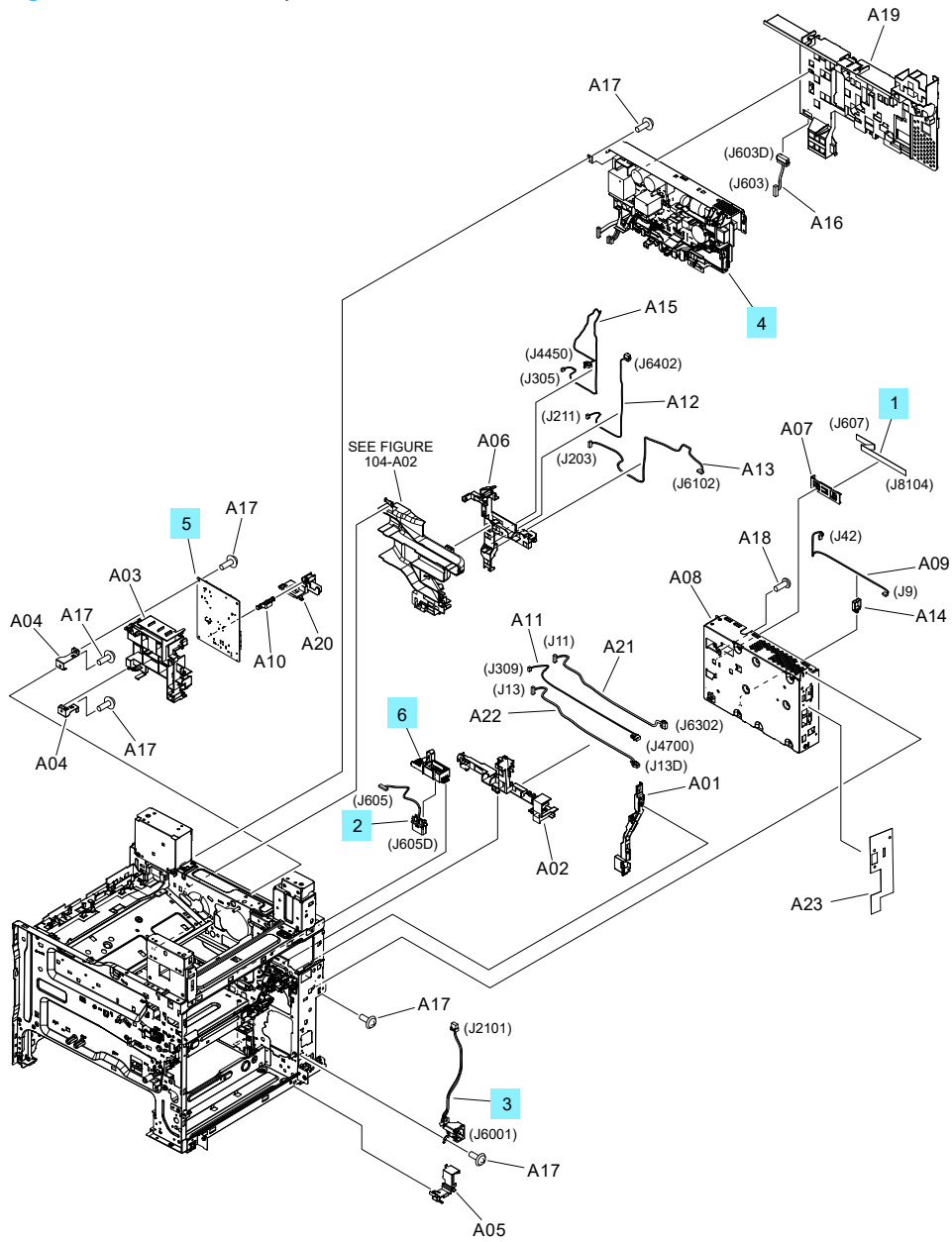


Table 2-17 Internal components 5 of 5 (M631, M632, M633)

Ref	Description	Part number	Qty
1	Cable, FFC	RK2-8398-000CN	1
2	Pickup Option Cable Assy	RM2-8577-000CN	1
3	Inlet Cable Assy (110V)	RM2-6754-000CN	1
3	Inlet Cable Assy (220V)	RM2-6784-000CN	1
4	LVPS (110V)	RM2-1318-000CN	1
4	LVPS (220V)	RM2-1319-000CN	1
5	DC Conroller Assy	RM2-9483-000CN	1
6	Holder, Drawer	RC4-8393-000CN	1