

3x500 paper deck components

Figure 2-16 3x500 paper deck components

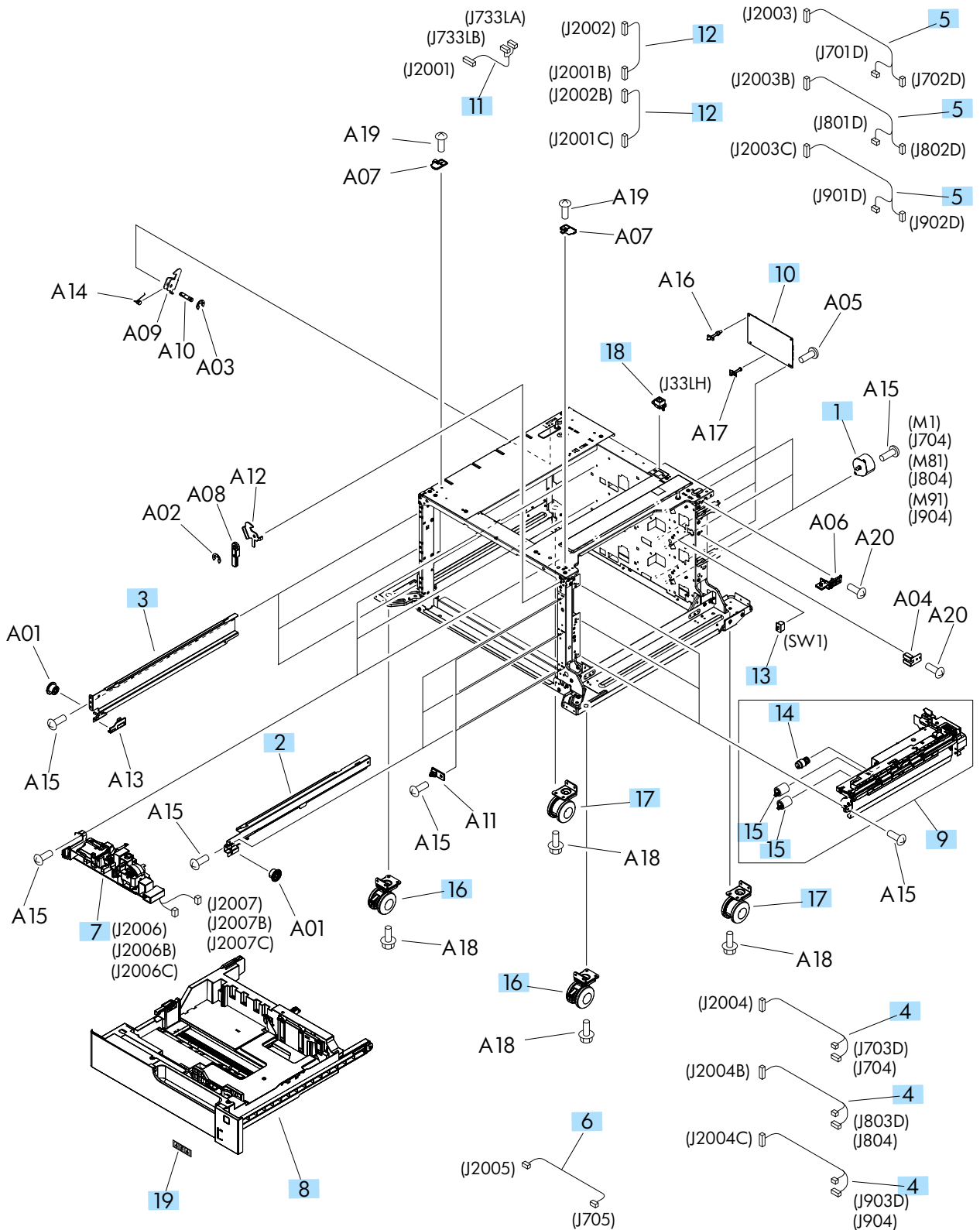


Table 2-20 3x500 paper deck components

Ref	Description	Part number	Qty
1	Motor, stepping, DC	RK2-1331-000CN	3
2	Rail, cassette, right	RL1-1390-000CN	3
3	Rail, cassette, left	RL1-1391-000CN	3
4	Cable, paper pickup option	RM1-3575-000CN	3
5	Cable, multi sensor	RM1-3647-000CN	3
6	Cable, door open switch	RM1-3651-000CN	1
7	Lifter drive assembly	RM1-3819-000CN	3
8	Cassette assembly kit, with Trays 4-6 label kit	CF235-67917	3
9	Paper pickup assembly	RM1-9415-000CN	3
10	Controller PCA	RM1-9076-000CN	1
11	Cable, engine interface	RM1-6991-000CN	1
12	Cable, PCA joint	RM1-6992-000CN	2
13	Switch, button	WC2-5512-000CN	1
14	Roller, pickup (part of Trays 4,5 and 6 pickup and feed roller kit)	CC522-67909	4
15	Paper feed roller assembly (part of Trays 4,5 and 6 pickup and feed roller kit)	CC522-67909	8
16	Caster, double lock, front	RC1-9896-000CN	2
17	Caster, rear	RC3-2994-000CN	2
18	Connector, 8P	VS1-7500-008CN	1
19	Labels, cassette numbers, Trays 4-6	CE707-00001	1