

500-sheet paper feeder (Tray 4) components

Figure 2-13 500-sheet paper feeder (Tray 4) components

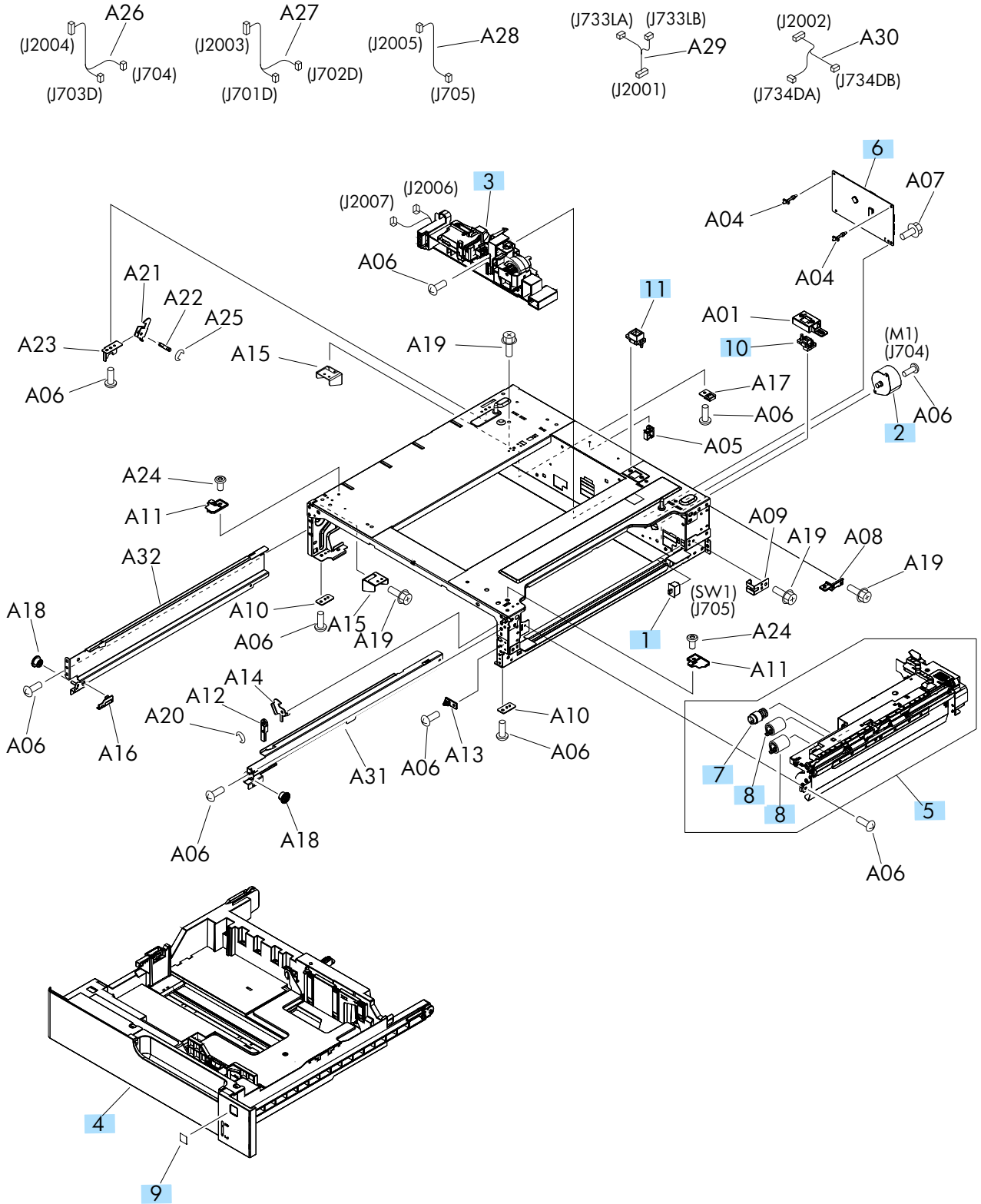


Table 2-17 500-sheet paper feeder (Tray 4) components

Ref	Description	Part number	Qty
1	Switch, button	WC2-5512-000CN	1
2	Motor, stepping, DC	RK2-1331-000CN	1
3	Lifter drive assembly	RM1-3819-000CN	1
4	Cassette assembly	RM1-9413-000CN	1
5	Paper pickup assembly	RM1-9415-000CN	1
6	Paper feeder controller PCA	RM1-9074-000CN	1
7	Roller, pickup (part of Trays 4,5 and 6 pickup and feed roller kit)	CC522-67909	4
8	Paper feed roller assembly (part of Trays 4,5 and 6 pickup and feed roller kit)	CC522-67909	8
9	Labels, cassette numbers, Trays 4-6	CE707-00001	1
10	Connector, 8P	VS1-7514-008CN	1
11	Connector, 8P	VS1-7500-008CN	1