

Print engine

External covers and panels

Figure 2-7 External covers and panels

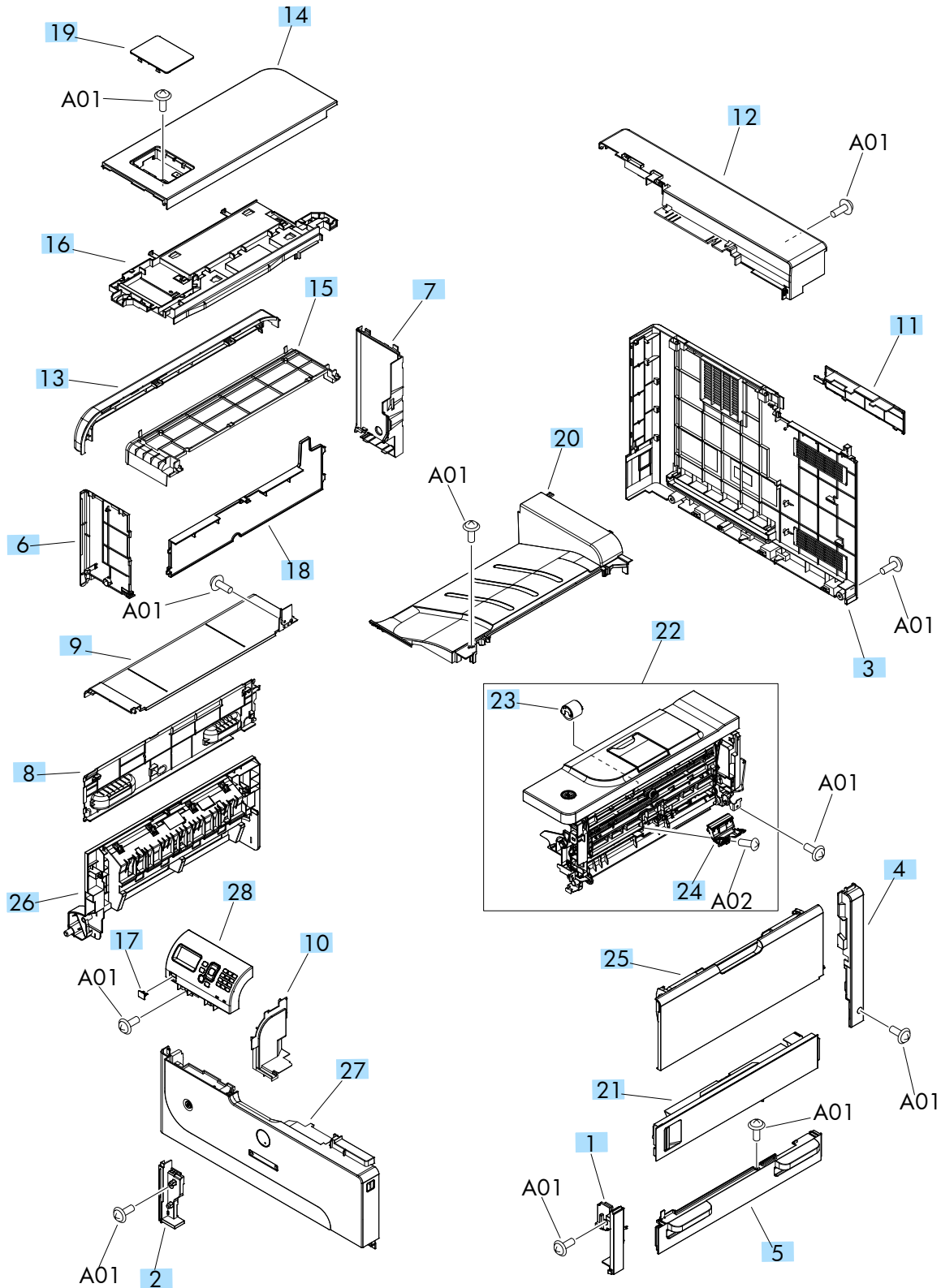


Table 2-11 External covers and panels

Ref	Description	Part number	Qty
1	Cover, front, right lower	RC3-2133-000CN	1
2	Cover, front, left lower	RC3-2134-000CN	1
3	Cover, rear	RC3-2138-000CN	1
4	Cover, right side, rear	RC3-2148-000CN	1
5	Cover, right handle	RC3-2153-000CN	1
6	Cover, left side, front, lower	RC3-2154-000CN	1
7	Cover, left side, rear, lower	RC3-2155-000CN	1
8	Cover, left handle	RC3-2156-000CN	1
9	Cover, left, upper	RC3-2272-000CN	1
10	Cover, facedown, side	RC3-2219-000CN	1
11	Cover, pocket rear	RC3-2220-000CN	1
12	Cover, top rear	RC3-2221-000CN	1
13	Cover, upper left	RC3-2222-000CN	1
14	Cover, top	RC3-2223-000CN	1
15	Cover, left roof	RC3-2224-000CN	1
16	Cover, output upper	RC3-2225-000CN	1
17	Cap, USB	RC3-2264-000CN	1
18	Cover, duplexer	RC3-2280-000CN	1
19	Cover, HIP	RC3-3231-000CN	1
20	Facedown cover assembly	RM1-8654-000CN	1
21	Right door assembly	RM1-8657-000CN	1
22	Cartridge door assembly	RM1-8660-000CN	1
23	Roller, paper pickup, multipurpose tray (part of Tray 1 pickup roller and separation pad kit)	CF235-67906	1
24	Multipurpose pad assembly (part of Tray 1 pickup roller and separation pad kit)	CF235-67906	1
25	Multipurpose cover assembly	RM1-8662-000CN	1
26	Left door assembly	RM1-8680-000CN	1
27	Front cover assembly kit (includes product labels)	CF235-67905	1
28	Control panel assembly	RM1-8940-000CN	1