

HCI components (2 of 2)

Figure 2-19 HCI components (2 of 2)

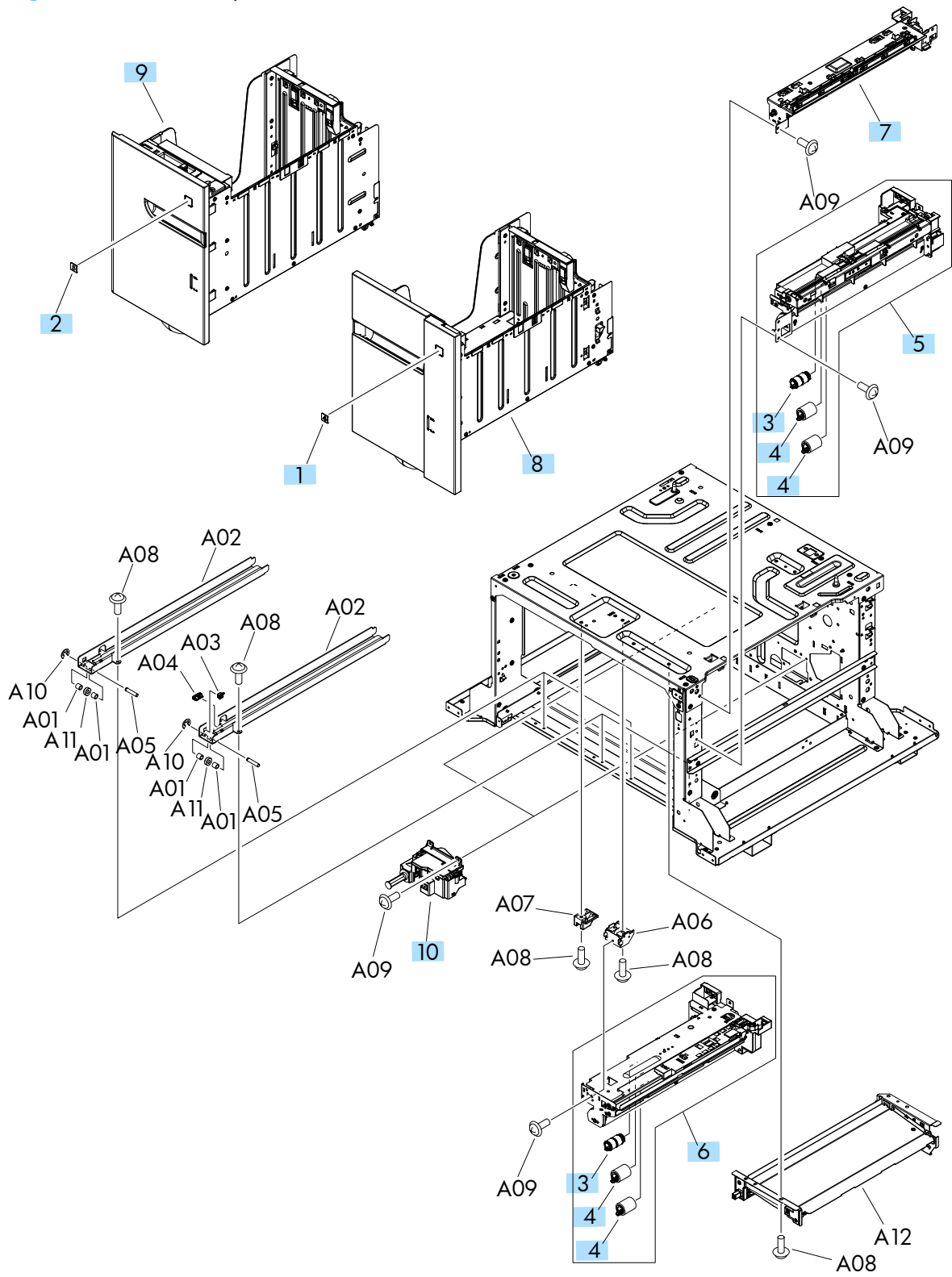


Table 2-23 HCI components (2 of 2)

Ref	Description	Part number	Qty
1	Labels, cassette numbers, Trays 4-6	CE707-00001	1
2	Labels, cassette numbers, Trays 4-6	CE707-00001	1
3	Roller, paper pickup (part of HCI pickup and feed roller kit)	5851-5011	2
4	Paper feed roller assembly (part of HCI pickup and feed roller kit)	5851-5011	4
5	Paper pickup assembly, right	RM1-8869-000CN	1
6	Paper pickup assembly, left	RM1-8876-000CN	1
7	Crossing paper feed assembly	RM1-8888-000CN	1
8	Tray, right assembly kit, with Trays 4-6 tray label kit	CF235-60104	1
9	Tray, left assembly kit, with Trays 4-6 tray label kit	CF235-60103	1
10	Auto close assembly	RM1-8880-000CN	2