

Internal components (1 of 4)

Figure 2-8 Internal components (1 of 4)

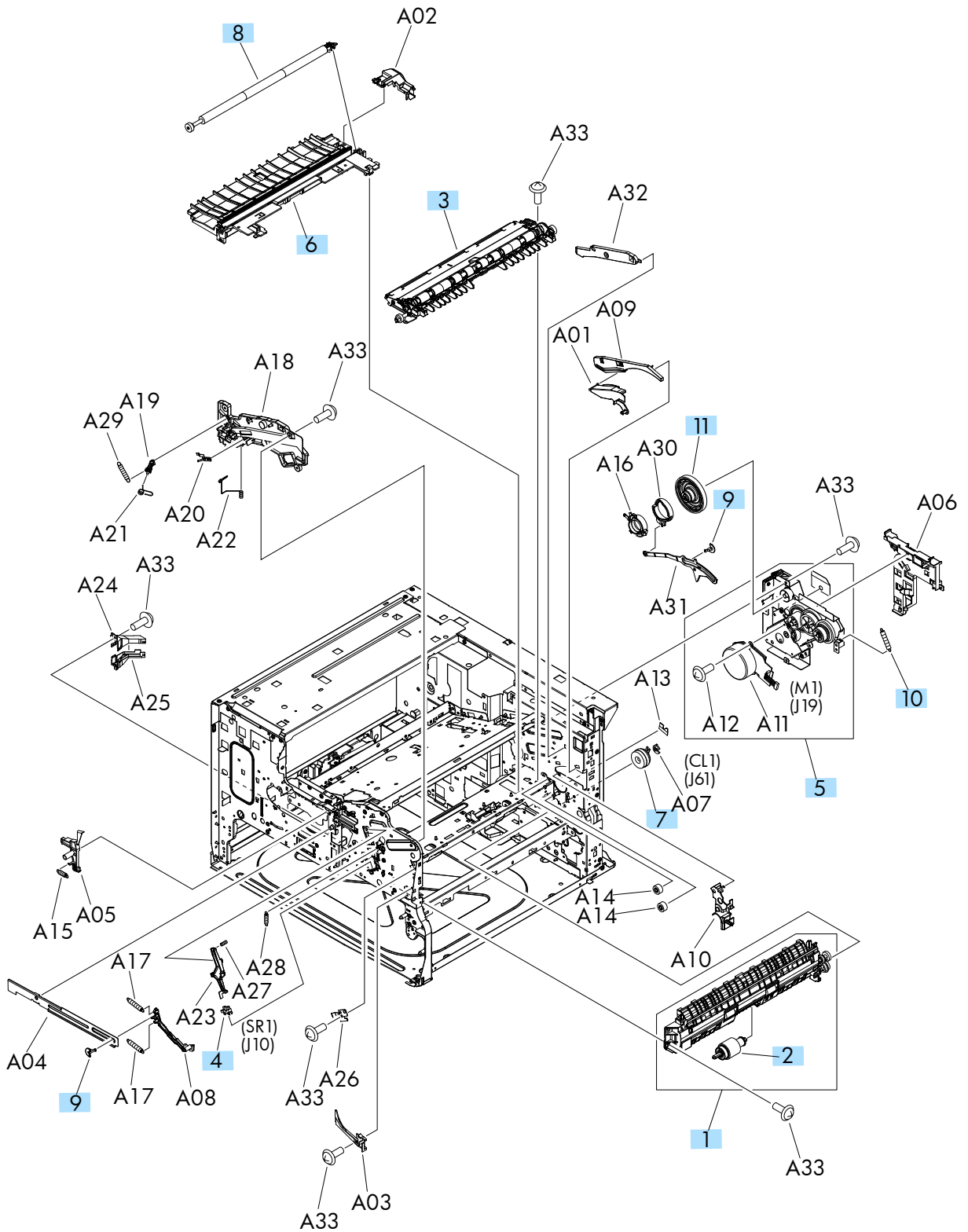


Table 2-12 Internal components (1 of 3) (print engine)

Ref	Description	Part number	Qty
1	Upper cassette (Tray 2) pickup assembly	RM2-0182-000CN	1
2	Roller, cassette pickup (part of Tray 2 or 3 pickup roller and separation pad kit)	CF235-67909	1
3	Registration assembly	RM1-8671-000CN	1
4	Photointerrupter	WG8-5935-000CN	1
5	Main drive assembly	RM2-0184-000CN	1
6	Paper feed assembly	RM1-8741-000CN	1
7	Clutch, electromagnetic	RM1-8946-000CN	1
8	Transfer roller assembly kit	CF235-67910	1
9	Stopper, link	RC3-2212-000CN	2
10	Spring, tension	RU5-2632-000CN	1
11	Gear, 133T	RU7-0350-000CN	1