

Internal components (3 of 4)

Figure 2-10 Internal components (3 of 4)

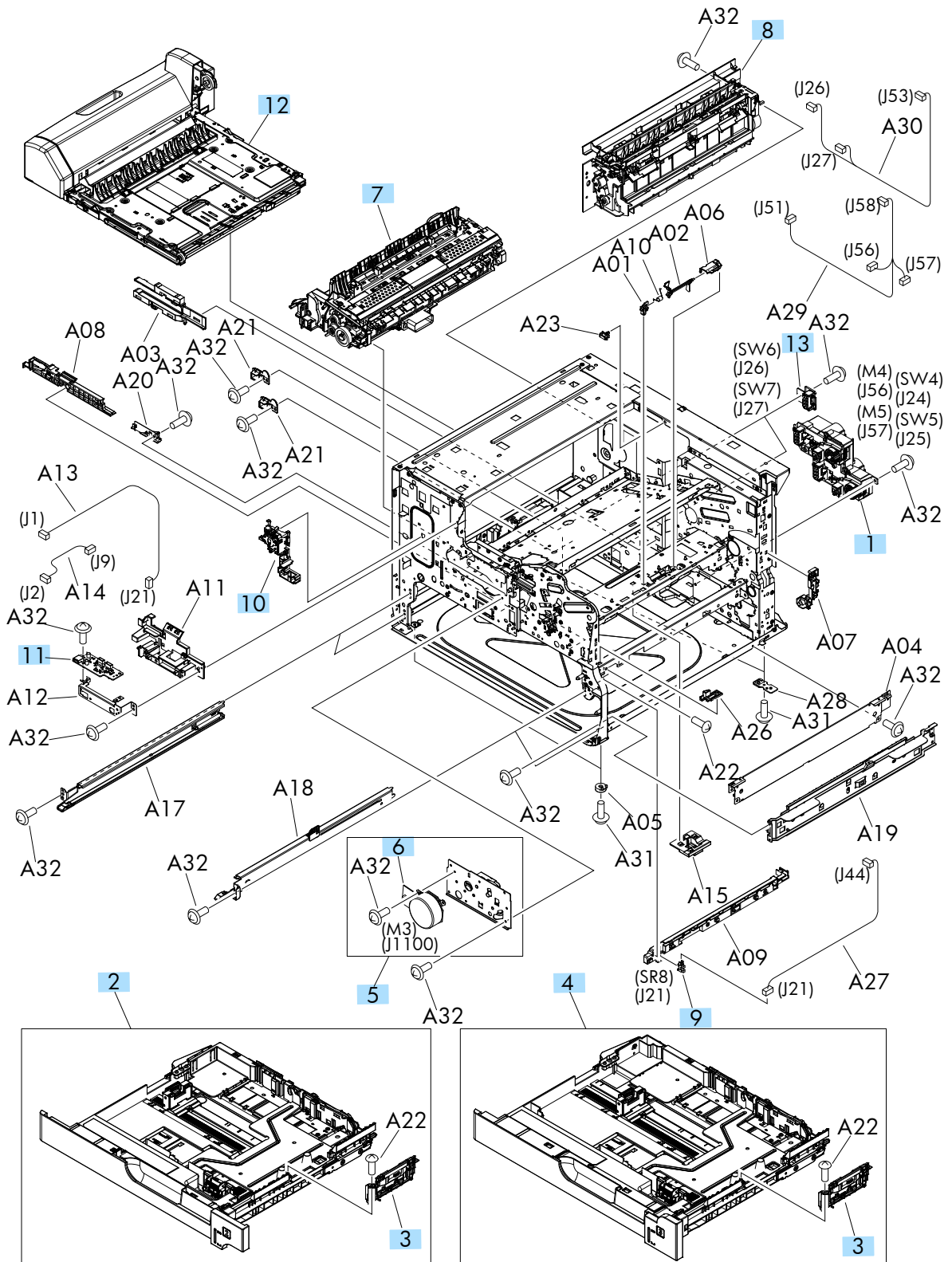


Table 2-14 Internal components (3 of 4)

Ref	Description	Part number	Qty
1	Lifter drive assembly	RM1-2969-000CN	1
2	Upper cassette (Tray 2) assembly kit	CF235-67911	1
3	Separation pad assembly (part of Tray 2 or 3 pickup roller and separation pad kit)	CF235-67909	2
4	Lower cassette (Tray 3) assembly kit	CF235-67912	1
5	Fuser drive assembly	RM1-2963-000CN	1
6	Fuser motor assembly	RM1-2538-000CN	1
7	Fuser assembly kit (110V)	CF235-67921	1
7	Fuser assembly kit (220V)	CF235-67922	1
8	Paper delivery assembly	RM1-8669-000CN	1
9	Photointerrupter	WG8-5935-000CN	1
10	Power switch PCA	RM2-7561-000CN	1
11	USB PCA	RM1-8937-000CN	1
12	Optional duplexer assembly	CF235-67913	1
13	Back end sensor	RM1-2968-000CN	1