

Internal components (4 of 4)

Figure 2-11 Internal components (4 of 4)

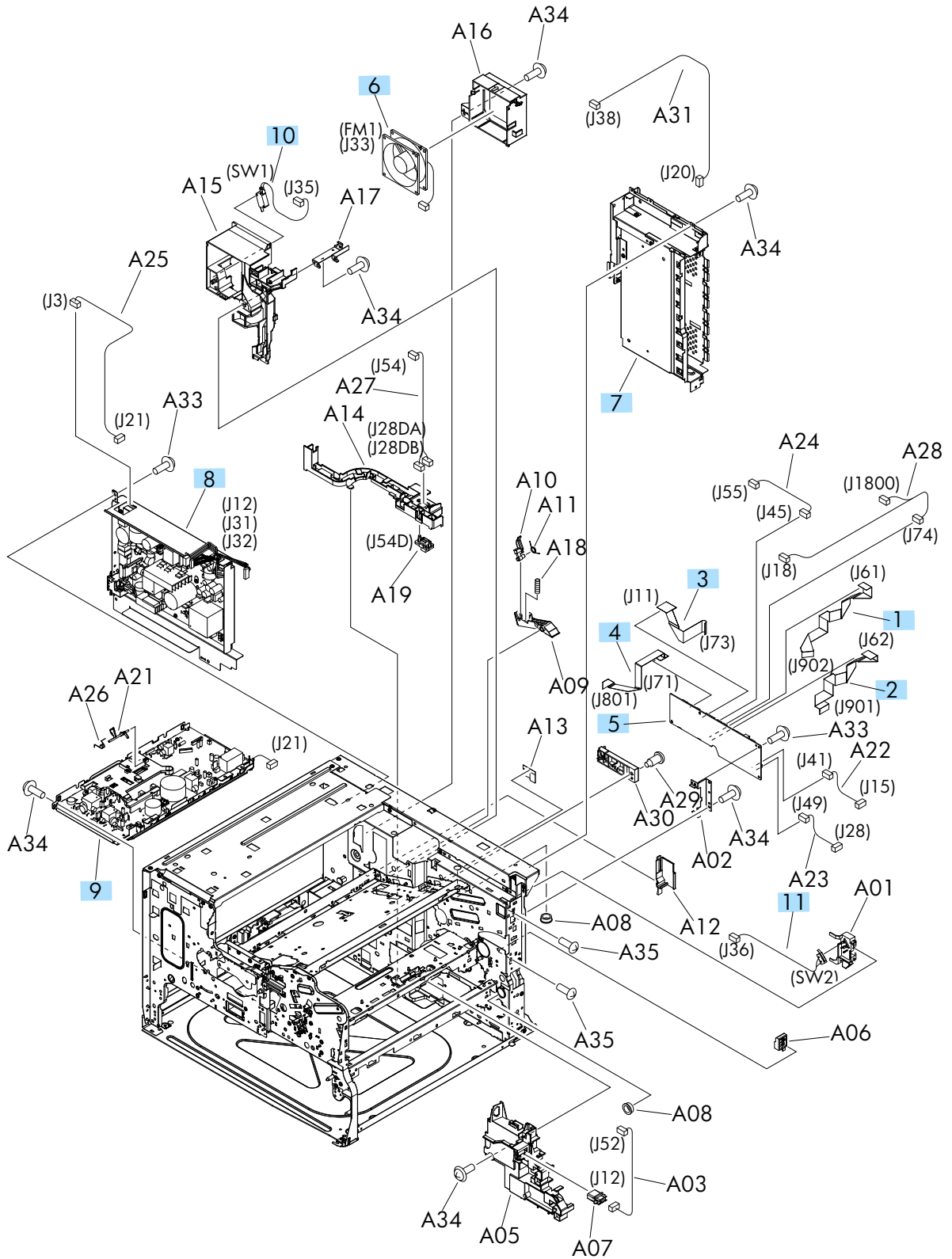


Table 2-15 Internal components (4 of 4)

Ref	Description	Part number	Qty
1	Cable, flexible flat, 21P	RK2-4490-000CN	1
2	Cable, flexible flat, 23P	RK2-4492-000CN	1
3	Cable, flexible flat, 25P	RK2-4494-000CN	1
4	Cable, flexible flat, 15P	RK2-4496-000CN	1
5	DC controller PCA	RM1-8934-000CN	1
6	Fan	RK2-2416-000CN	1
7	Formatter cage	RM1-8683-000CN	1
8	Low voltage power supply (110V)	RM1-8744-000CN	1
8	Low voltage power supply (220V)	RM1-8745-000CN	1
9	High voltage power supply (110V)	RM2-7538-000CN	1
9	High voltage power supply (220V)	RM2-7539-000CN	1
10	Switch, fuser (left) door	RM1-3474-000CN	1
11	Switch, cartridge door	RM1-3471-000CN	1