

1x500 paper deck components

Figure 2-20 1x500 paper deck components

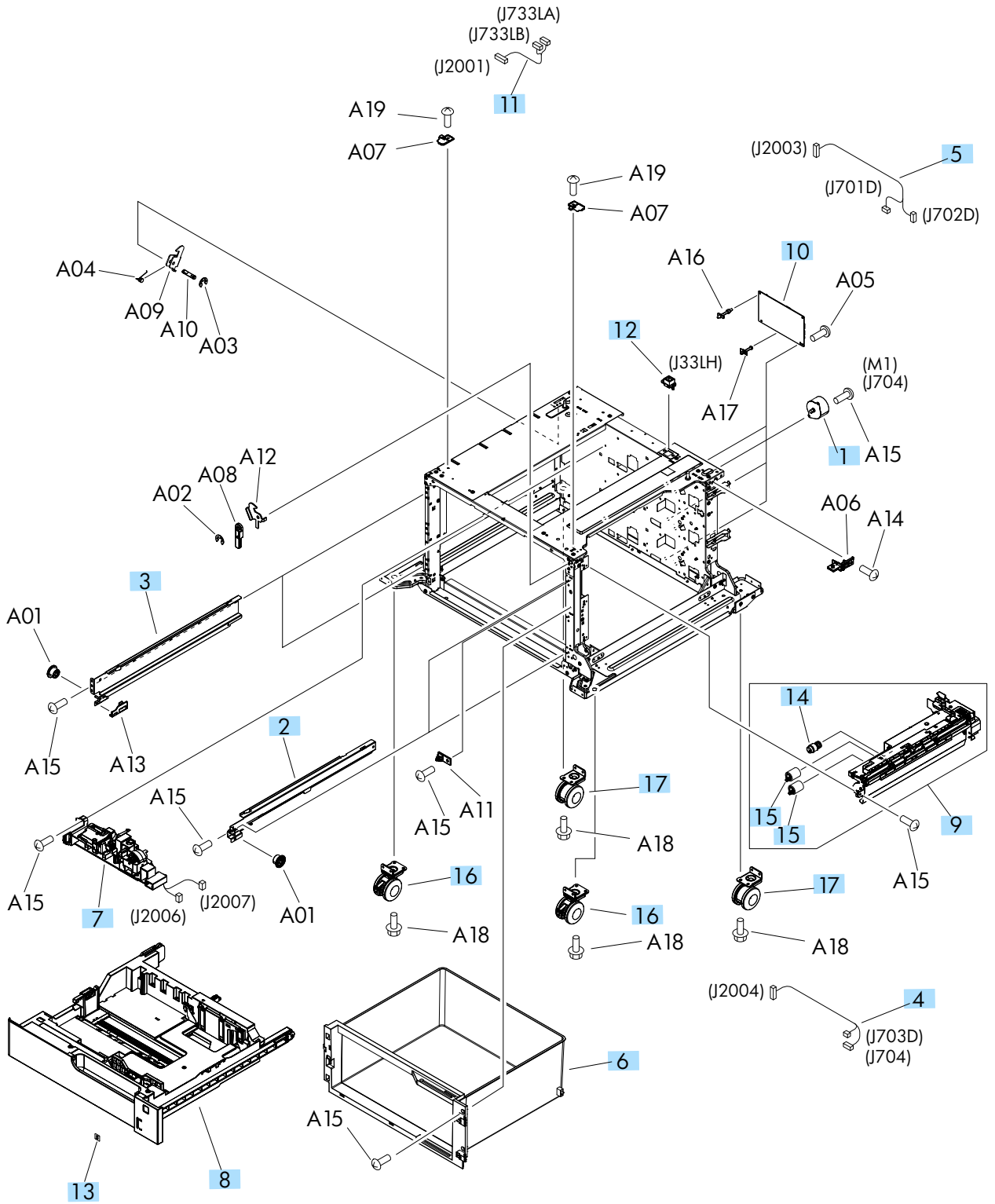


Table 2-25 1x500 paper deck components

Ref	Description	Part number	Qty
1	Motor, stepping, DC	RK2-1331-000CN	1
2	Rail, cassette, right	RL1-1390-000CN	2
3	Rail, cassette, left	RL1-1391-000CN	2
4	Cable, paper pickup option	RM1-3575-000CN	1
5	Cable, multisensor	RM1-3647-000CN	1
6	Stock box assembly	RM1-6954-000CN	1
7	Lifter drive assembly	RM1-3819-000CN	1
8	Cassette assembly kit, with Trays 2-6 label kit	CF235-67917	1
9	Paper pickup assembly	RM1-9415-000CN	1
10	Controller PCA	RM1-9075-000CN	1
11	Cable, engine interface	RM1-6991-000CN	1
12	Connector, 8P	VS1-7500-008CN	1
13	Labels, cassette numbers, Trays 2-6	5851-5600	1
14	Roller, pickup (part of Trays 4,5 and 6 pickup and feed roller kit)	CC522-67909	4
15	Paper feed roller assembly (part of Trays 4,5 and 6 pickup and feed roller kit)	CC522-67909	8
16	Caster, double lock, front	RC1-9896-000CN	2
17	Caster, rear	RC3-2994-000CN	2