

Print engine

External covers and panels

Figure 2-12 External covers and panels

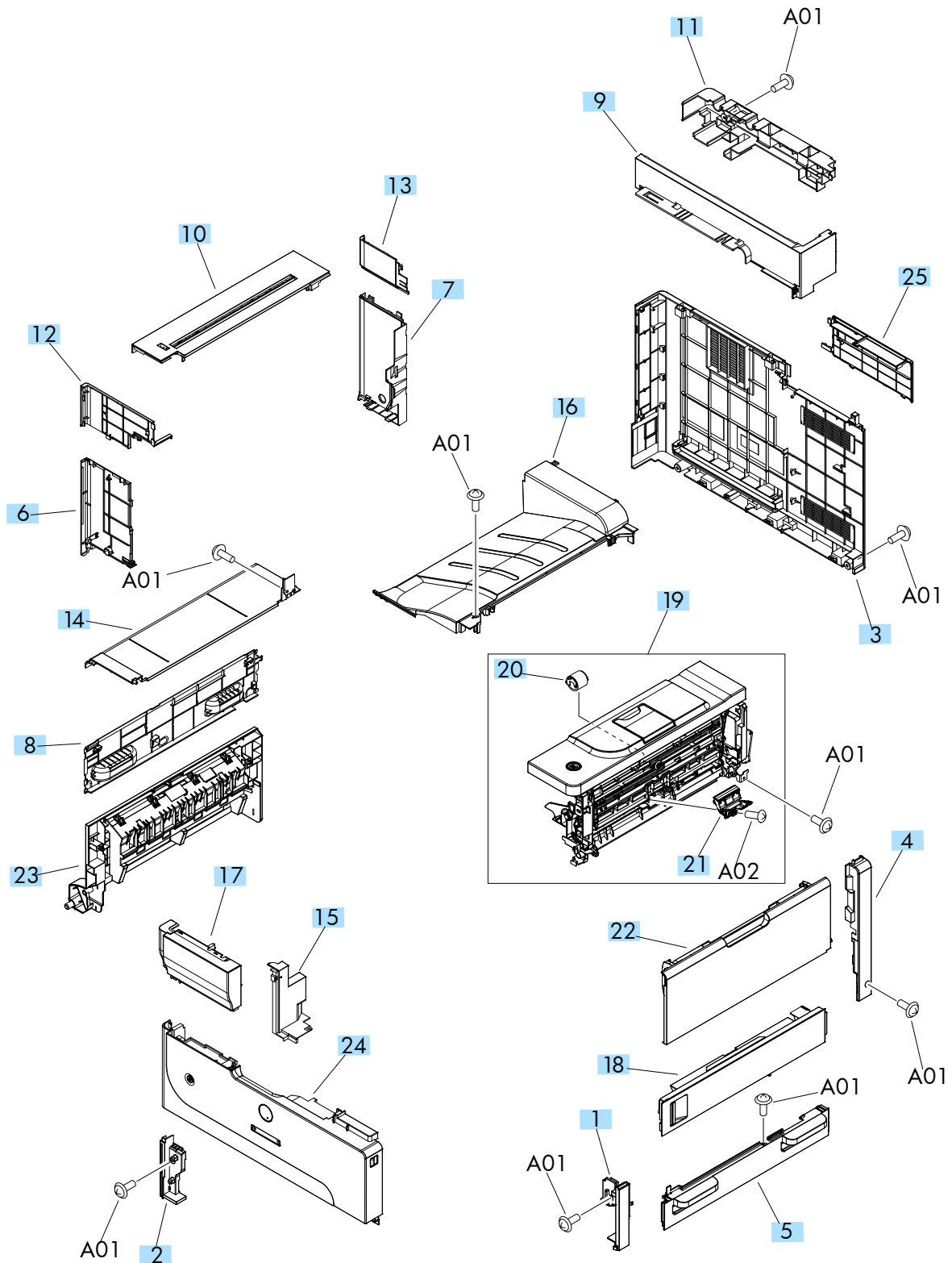


Table 2-17 External covers and panels

Ref	Description	Part number	Qty
1	Cover, front, right lower	RC3-2133-000CN	1
2	Cover, front, left lower	RC3-2134-000CN	1
3	Cover, rear	RC3-2138-000CN	1
4	Cover, right side, rear	RC3-2148-000CN	1
5	Cover, right handle	RC3-2153-000CN	1
6	Cover, left side, front, lower	RC3-2154-000CN	1
7	Cover, left side, rear, lower	RC3-2155-000CN	1
8	Cover, left handle	RC3-2156-000CN	1
9	Cover, top, rear	RC3-2159-000CN	1
10	Cover, output, top	RC3-2160-000CN	1
11	Cover, rear, top	RC3-2161-000CN	1
12	Cover, left side, front, upper	RC3-2163-000CN	1
13	Cover, left side, rear, upper	RC3-2164-000CN	1
14	Cover, left, upper	RC3-2272-000CN	1
15	Cover, facedown side	RC3-2273-000CN	1
16	Facedown cover assembly	RM1-8654-000CN	1
17	Upper front cover assembly	RM1-8656-000CN	1
18	Right door assembly	RM1-8657-000CN	1
19	Cartridge door assembly	RM1-8660-000CN	1
20	Roller, paper pickup, multipurpose tray (part of Tray 1 pickup roller and separation pad kit)	CF235-67906	1
21	Multipurpose separation pad assembly (part of Tray 1 pickup roller and separation pad kit)	CF235-67906	1
22	Multipurpose tray (Tray 1) cover assembly	RM1-8662-000CN	1
23	Left door assembly	RM1-8680-000CN	1
24	Front cover assembly kit (includes product labels)	CF235-67905	1
25	Rear pocket cover assembly	RM1-9831-000CN	1