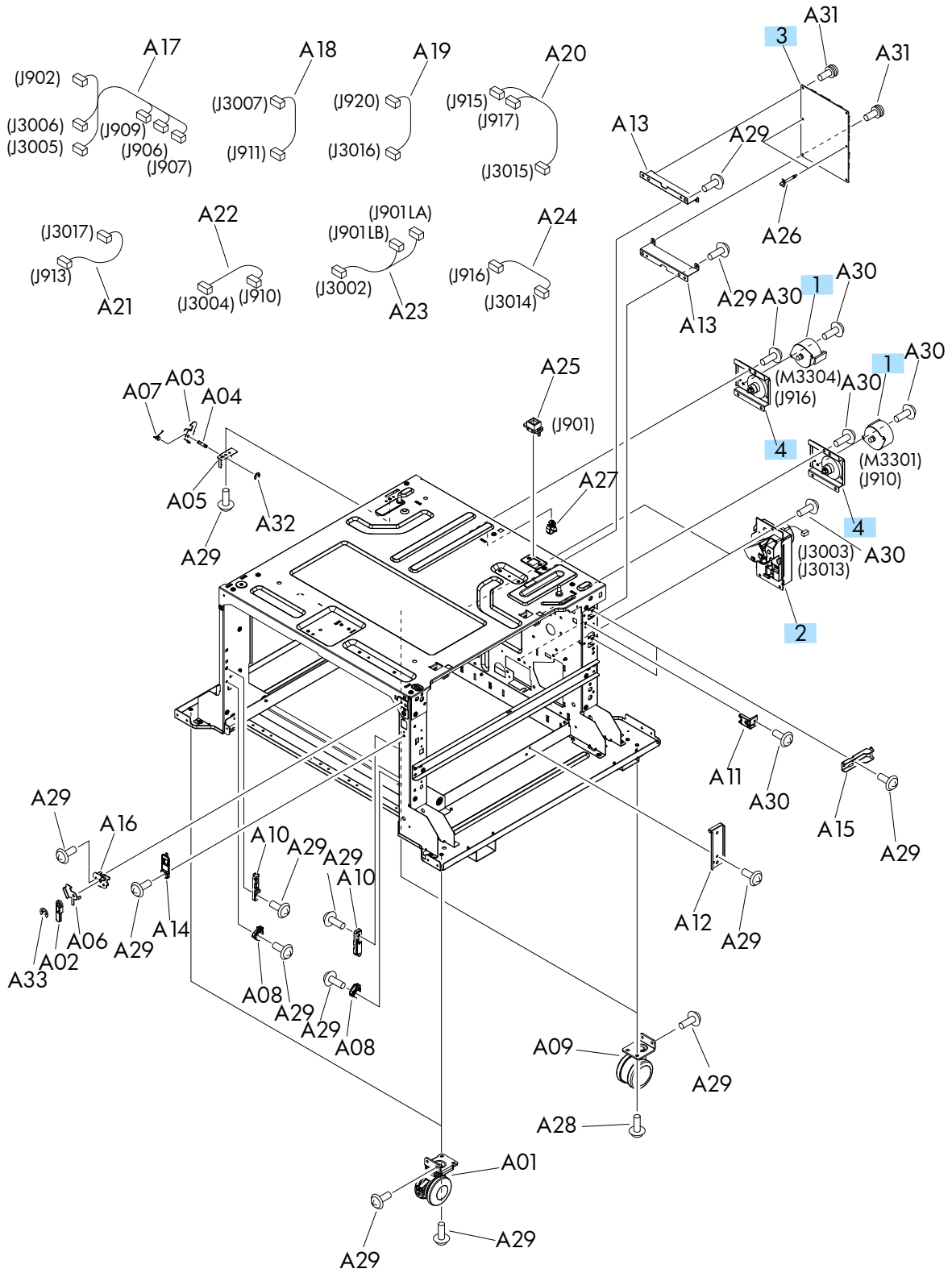


# HCI components (1 of 2)

Figure 2-23 HCI components (1 of 2)



**Table 2-28 HCI components (1 of 2)**

<b>Ref</b>	<b>Description</b>	<b>Part number</b>	<b>Qty</b>
1	Motor, stepping, DC	RK2-1331-000CN	2
2	Lifter drive assembly	RM1-8879-000CN	2
3	Controller PCA	RM1-9057-000CN	1
4	Paper pickup motor assembly	RM1-8872-000CN	2