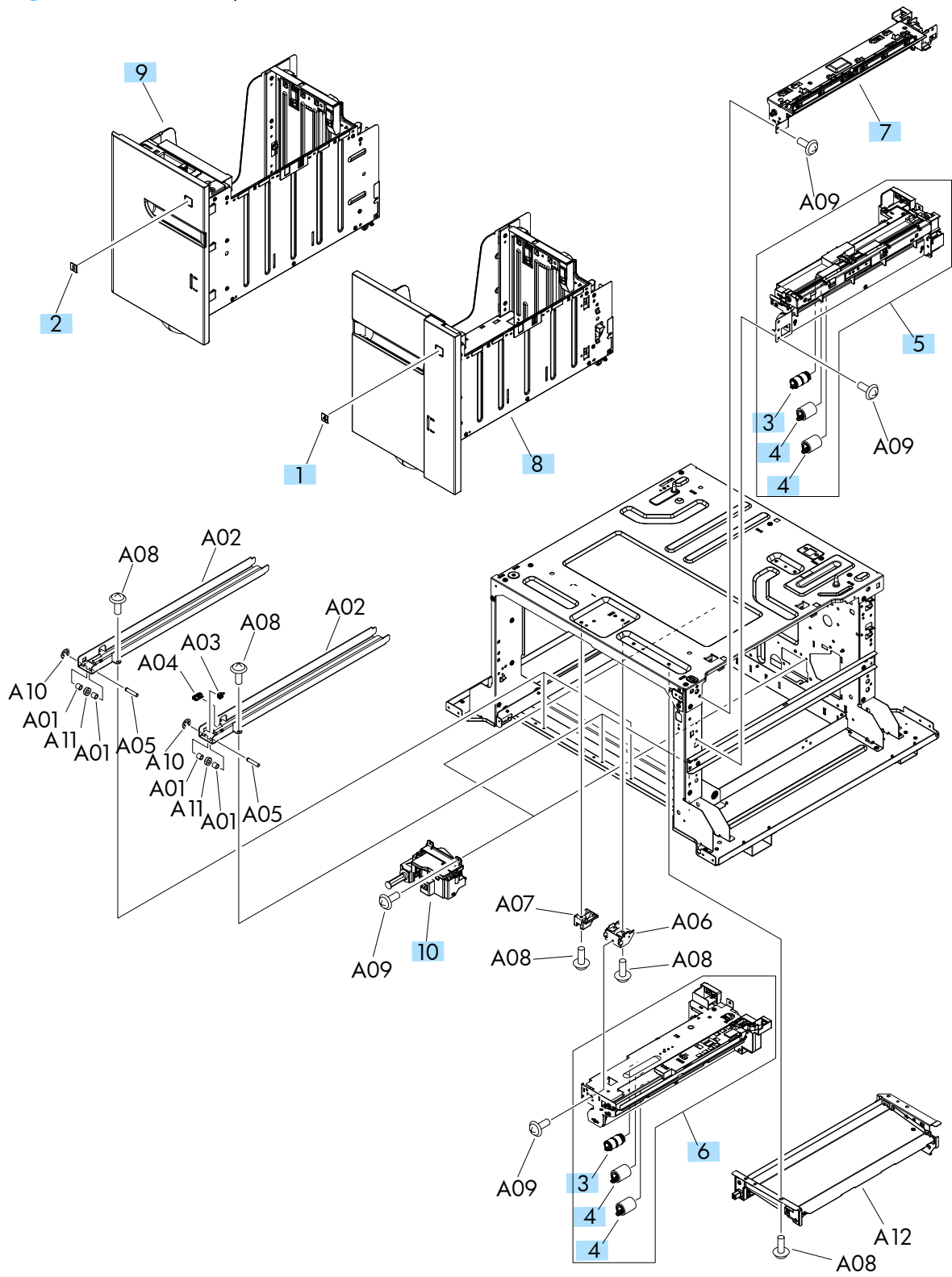


## HCI components (2 of 2)

Figure 2-24 HCI components (2 of 2)



**Table 2-29 HCI components (2 of 2)**

| <b>Ref</b> | <b>Description</b>  | <b>Part number</b> | <b>Qty</b> |
|------------|---|--------------------|------------|
| 1          | Labels, cassette numbers, Trays 2-6                                 | 5851-5600          | 1          |
| 2          | Labels, cassette numbers, Trays 2-6                                 | 5851-5600          | 1          |
| 3          | Roller, paper pickup (part of HCI pickup and feed roller kit)       | 5851-5011          | 2          |
| 4          | Paper feed roller assembly (part of HCI pickup and feed roller kit) | 5851-5011          | 4          |
| 5          | Paper pickup assembly, right  | RM1-8869-000CN     | 1          |
| 6          | Paper pickup assembly, left   | RM1-8876-000CN     | 1          |
| 7          | Crossing paper feed assembly  | RM1-8888-000CN     | 1          |
| 8          | Tray, right assembly kit, with Trays 2-6 tray label kit             | CF235-60104        | 1          |
| 9          | Tray, left assembly kit, with Trays 2-6 tray label kit              | CF235-60103        | 1          |
| 10         | Auto close assembly   | RM1-8880-000CN     | 2          |