

High capacity input (HCI) feeder

HCI covers

Figure 2-22 HCI covers

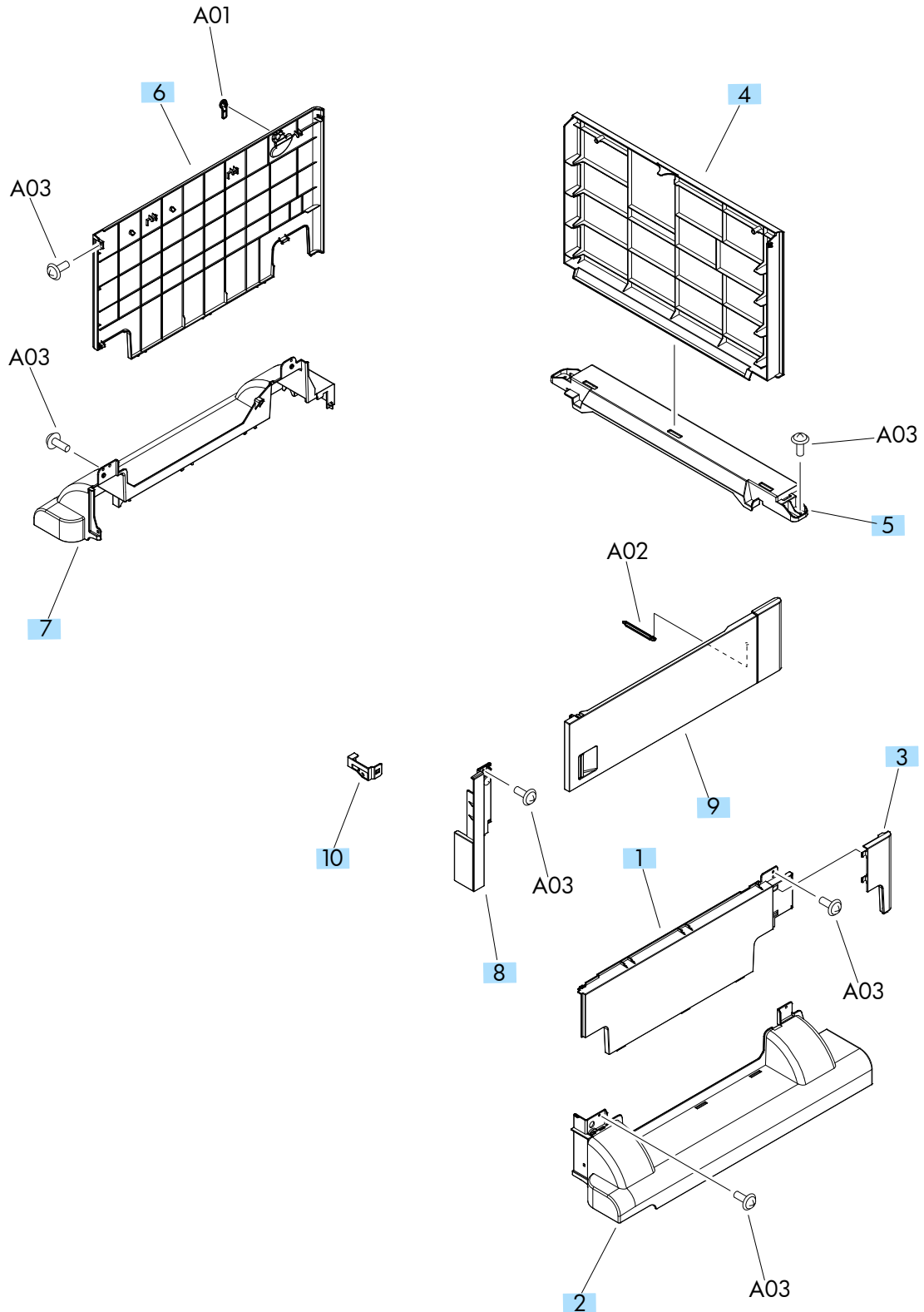


Table 2-27 HCI covers

| Ref | Description | Part number | Qty |
|------------|-------------------------------------|--------------------|------------|
| | 3,500-sheet HCI feeder assembly kit | CC235-67918 | 1 |
| 1 | Cover, right center | RC3-3000-000CN | 1 |
| 2 | Cover, right lower | RC3-3001-000CN | 1 |
| 3 | Cover, right rear | RC3-3002-000CN | 1 |
| 4 | Cover, rear | RC3-3003-000CN | 1 |
| 5 | Cover, rear lower | RC3-3004-000CN | 1 |
| 6 | Cover, left | RC3-3005-000CN | 1 |
| 7 | Cover, left lower | RC3-3006-000CN | 1 |
| 8 | Cover, corner, right | RC3-3009-000CN | 1 |
| 9 | Right door assembly | RM1-8868-000CN | 1 |
| 10 | Right front lock cover assembly | RM1-9416-000CN | 1 |