

# Formatter

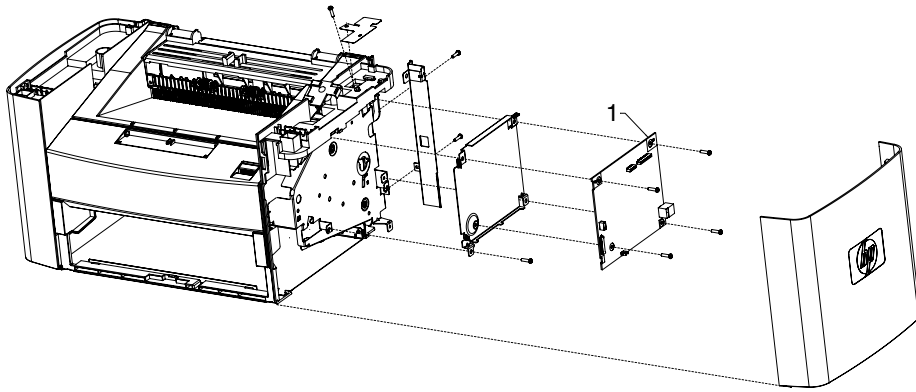


Figure 8-2 Formatter

**Table 8-5** Formatter

<b>Ref</b>	<b>Description</b>	<b>Part number</b>	<b>Qty</b>
1	Formatter	CB397-60001	1