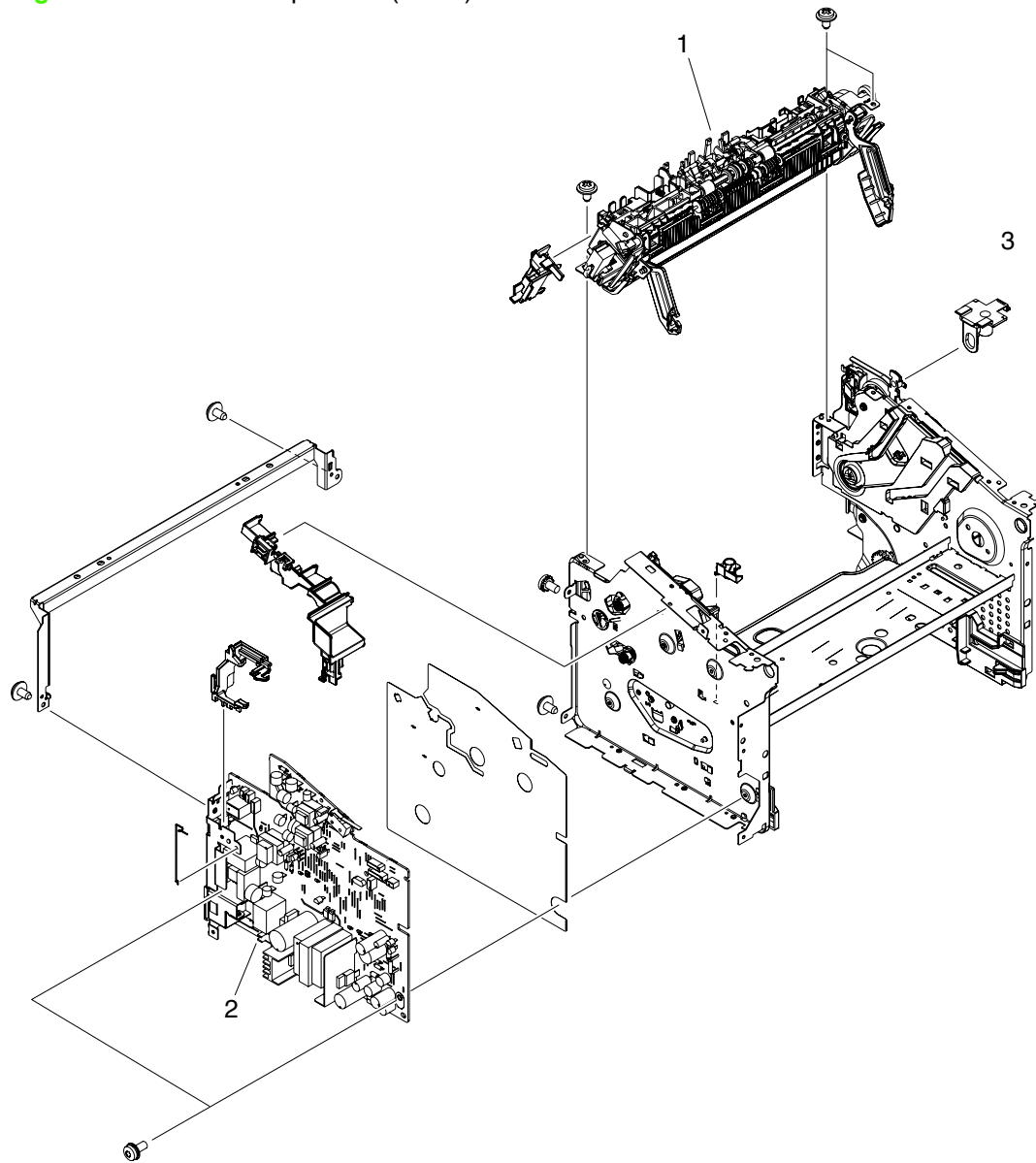


# Internal components (1 of 3)

Figure 7-4 Internal components (1 of 3)



**Table 7-9 Internal components (1 of 3)**

| Ref | Description                            | Part number    | Qty |
|-----|--|----------------|-----|
| 1   | Fuser assembly, 110v-220v              | RM1-4721-000CN | 1   |
| 1   | Fuser assembly, 220v-240v              | RM1-4726-000CN | 1   |
| 2   | Engine controller PCA (ECU), 110v-220v | RM1-4932-000CN | 1   |
| 2   | Engine controller PCA (ECU), 220v-240v | RM1-4936-000CN | 1   |
| 3   | Link, coupling                         | RC2-2965-000CN | 1   |