

Internal components (2 of 3)

Figure 7-5 Internal components (2 of 3)

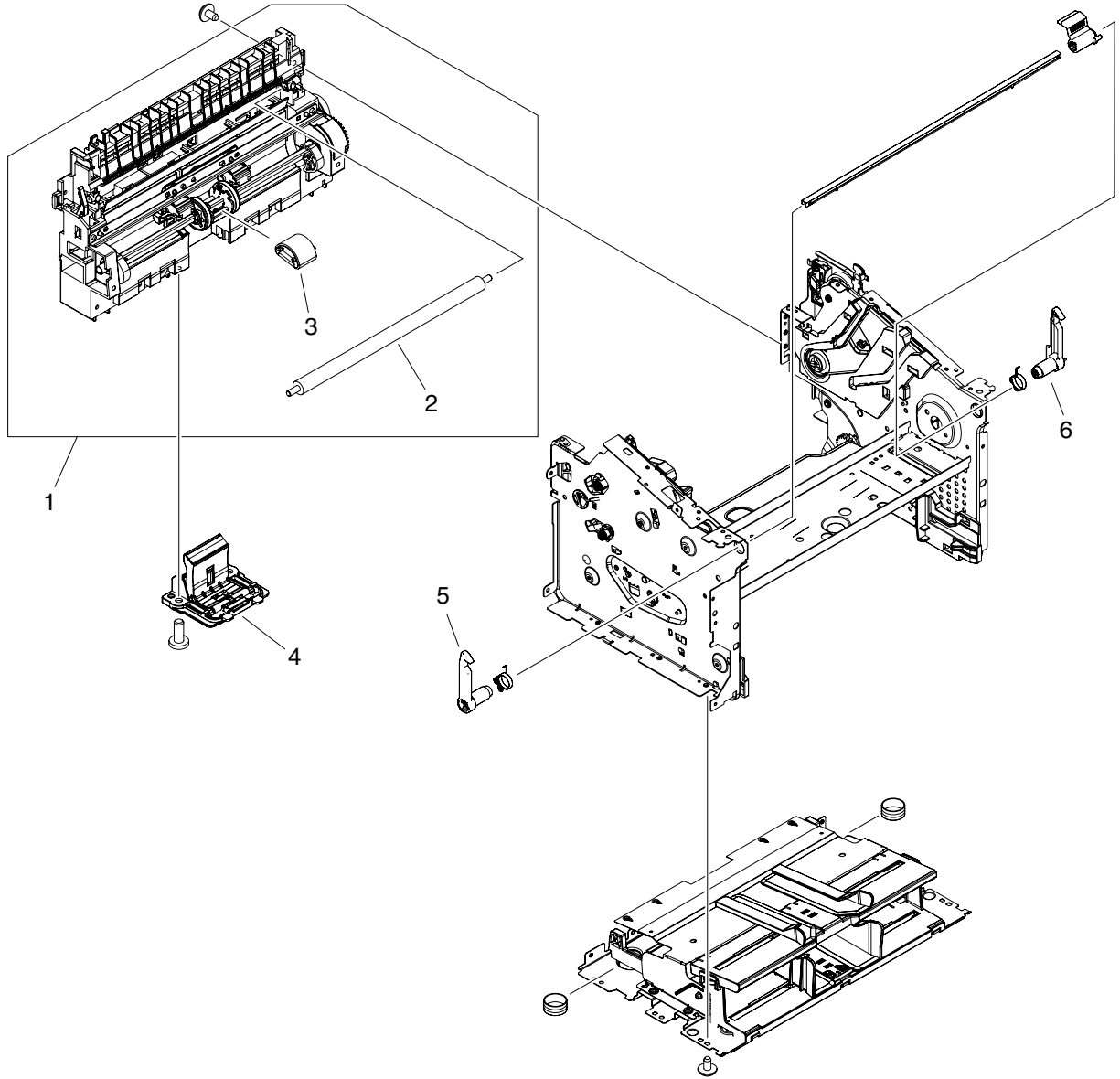


Table 7-10 Internal components (2 of 3)

Ref	Description	Part number	Qty
1	Paper-pickup assembly	RM1-4727-000CN	1
2	Roller, transfer	RM1-4234-000CN	1
3	Roller, pickup	RL1-1497-000CN	1
4	Separation-pad assembly	RM1-4207-000CN	1
5	Latch, left	RC1-2498-000CN	1
6	Latch, right	RC1-2499-000CN	1