

Internal components (3 of 3)

Figure 7-6 Internal components (3 of 3)

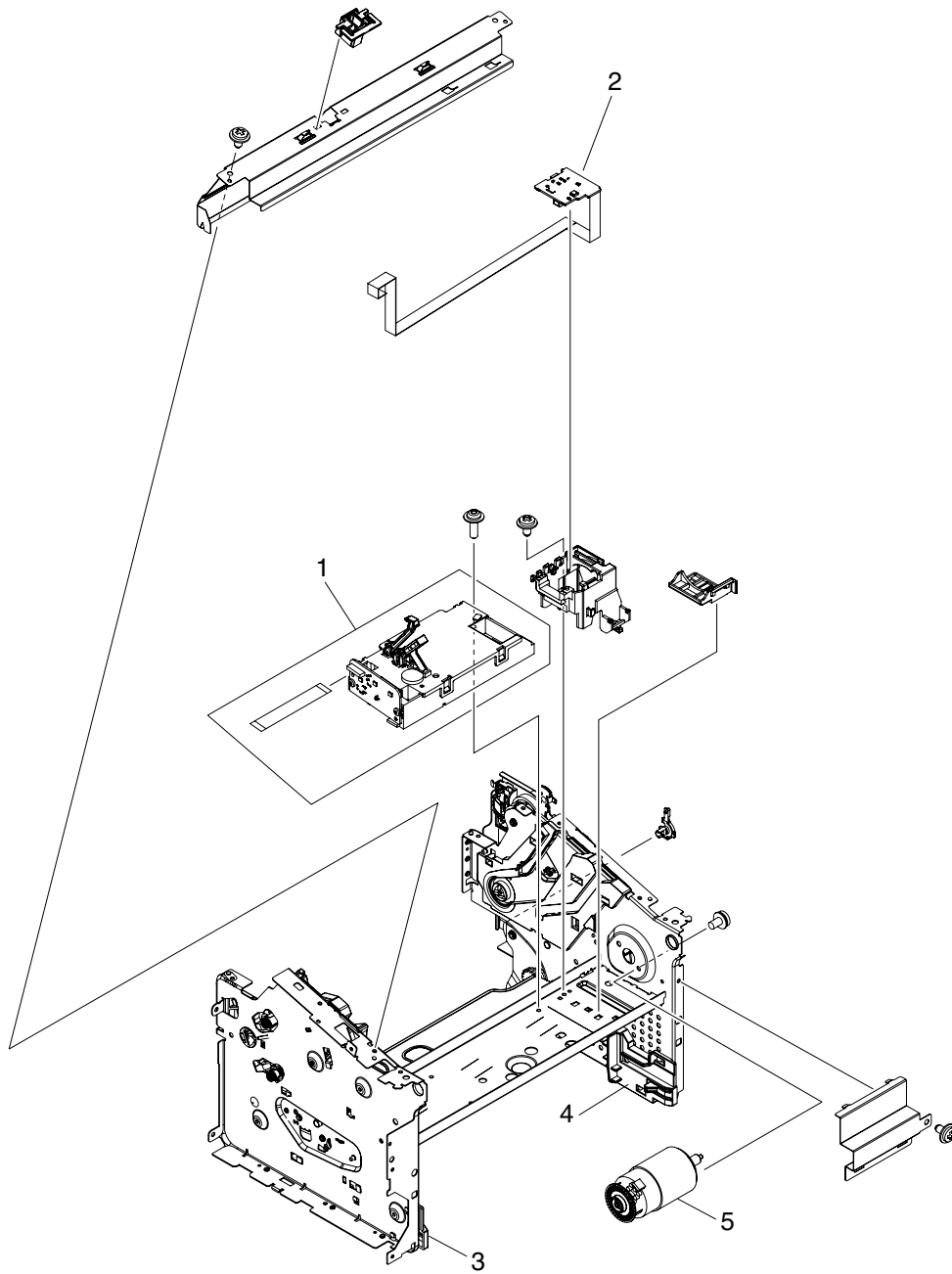


Table 7-11 Internal components (3 of 3)

Ref	Description	Part number	Qty
1	Laser/scanner assembly	RM1-4724-005CN	1
2	Motor-controller PCA	RM1-4935-000CN	1
3	Tray guide, left	RC2-2979-000CN	1
4	Tray guide, right	RC2-2980-000CN	1
5	Motor, 24V DC	RM1-4196-000CN	1