

Scanner assemblies

Figure 7-1 Scanner assemblies

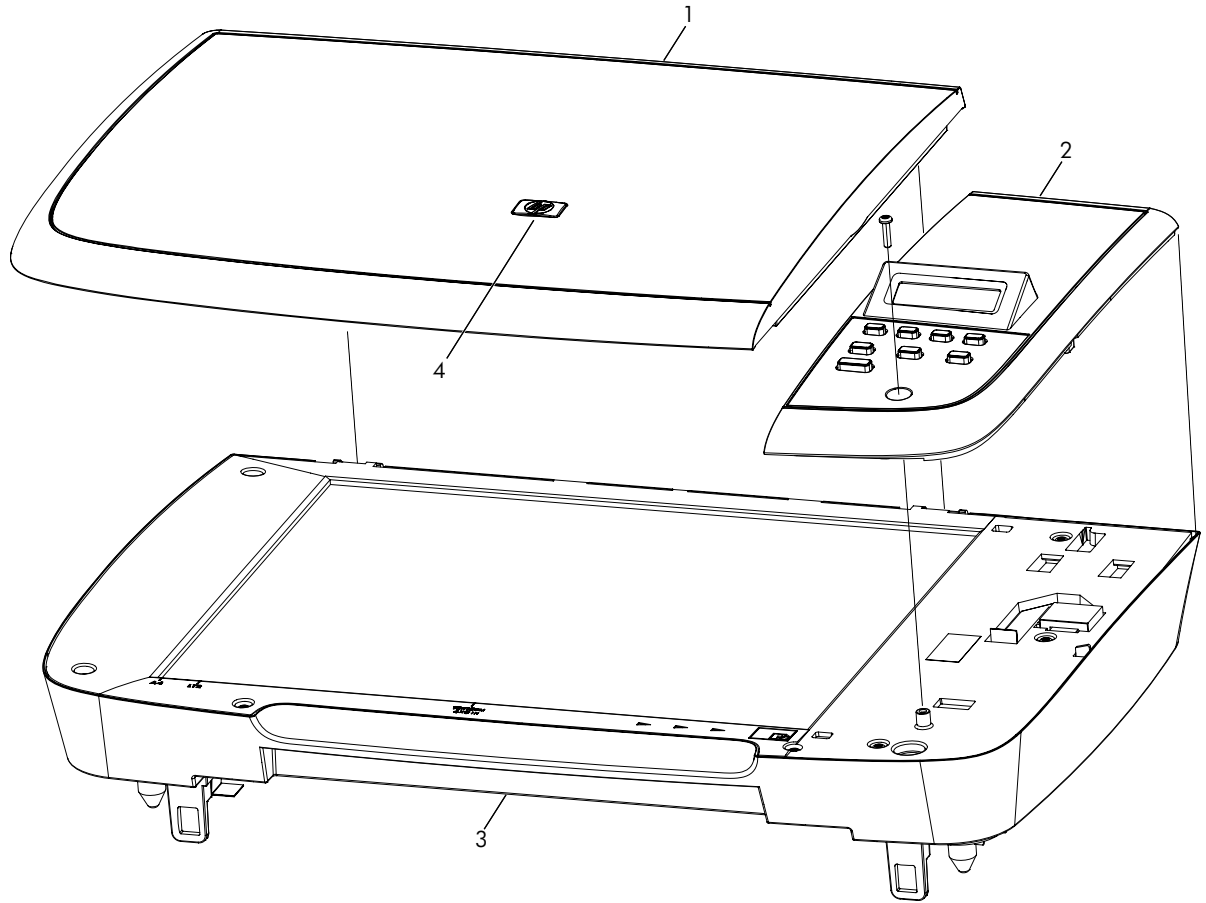


Table 7-6 Scanner assemblies

Ref	Description	Part number	Qty
1	Flatbed lid	CB537-60102	1
2	Control-panel assembly, LJm1120 (Western)	CB537-60109	1
2	Control-panel assembly, LJm1120 (Asian)	CB537-60110	1
3	SSA PKG FGI ASSY LJm1120 (scanner flatbed assembly)	CB537-67901	1
4	LJm1005 HP Jewel	7121-8285	1