

Guide assembly

Figure 8-4 Guide assembly

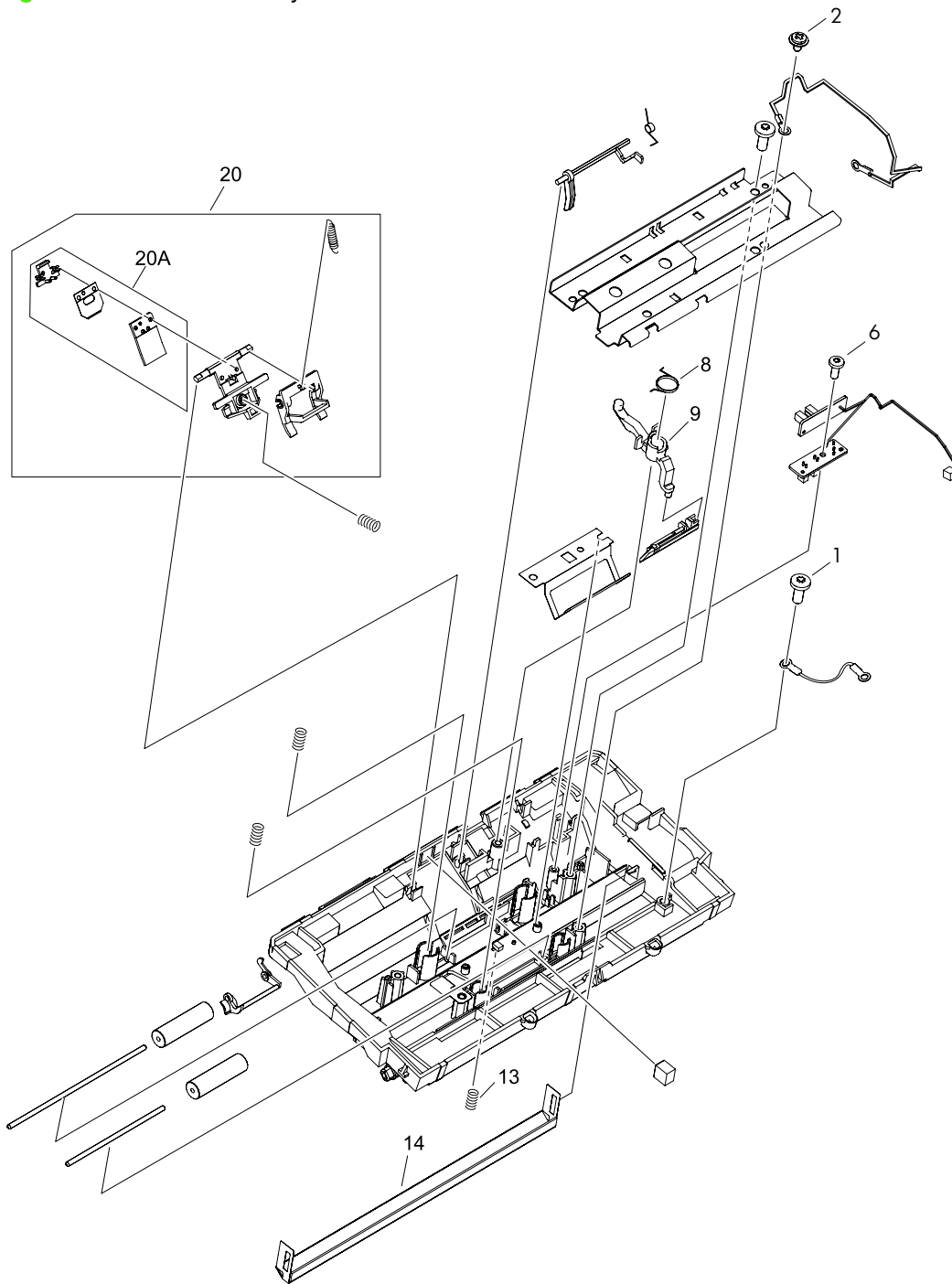



Table 8-11 Guide assembly

Ref	Description	Part number	Qty
All	Guide assembly, scanner	RM1-3066-000CN	1
1	Screw, self tapping, M4X10	XB4-5401-009CN	5
2	Screw, D, M3X6	XA9-1670-000CN	1
6	Screw, self-tapping binding head, M3X8	XB4-7300-805CN	1
8	Scanner media-lever torsion spring (lever, pressure convert)	RC1-2544-000CN	1
9	Scanner media lever (lever, pressure convert)	RC1-8413-000CN	1
13	Spring, compression, white platen	RU5-2196-000CN	3
14	Platen, white, scanner	RF5-3235-000CN	1
20	Separation-pad assembly, scanner	RM1-0890-000CN	1
20A	Separation-pad set, scanner	RM1-0891-000CN	1

 **NOTE:** The *separation-pad set* and the *separation-pad assembly* are two different assemblies.

The separation-pad set consists of the pad, clear plastic sheet, and the pad cover. The separation-pad set *is* a user-replaceable assembly.

The separation-pad assembly consists of the separation lever, tension spring, feed arm, and the components of the separation-pad set. The separation-pad assembly *is not* a user-replaceable assembly.

Only trained service personnel should attempt to replace the separation-pad assembly.