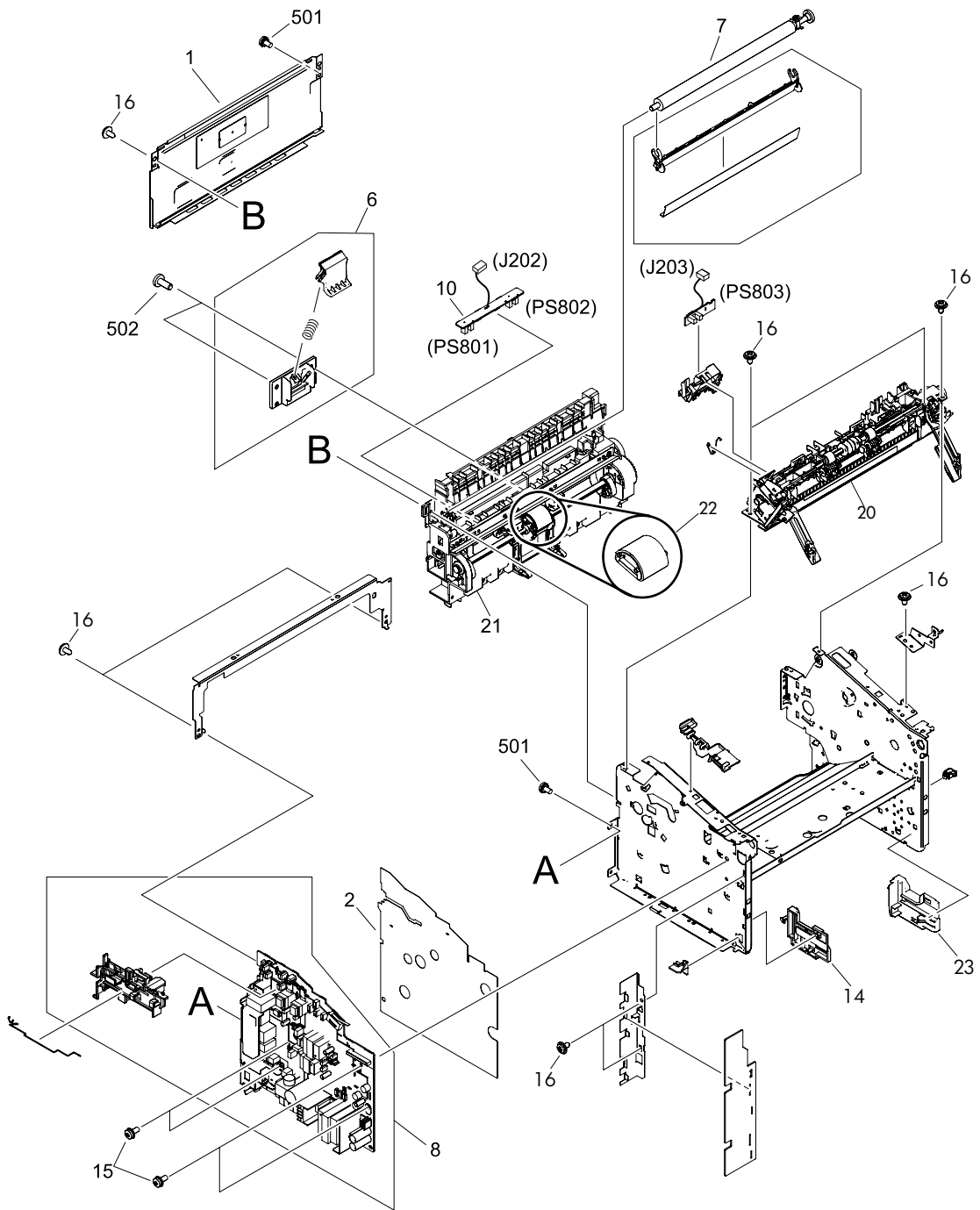


# Internal components

Figure 8-8 Internal components (1 of 3)



**Table 8-15 Internal components (1 of 3)**

Ref	Description	Part number	Qty
1	Panel, rear	RC1-8368-000CN	1
6	Separation-pad assembly, printer	RM1-2048-000CN	1
7	Transfer-roller assembly	RM1-2062-000CN	1
8	Power-supply assembly, 110-127 V	RM1-5280-000CN	1
8	Power-supply assembly, 220-240 V	RM1-5281-000CN	1
14	Guide, tray left	RC1-8389-000CN	1
15	Screw, rs, M3X8	XA9-1420-000CN	4
16	Screw, D	XA9-1670-000CN	19
20	Fuser, 110-127V	RM1-5363-000CN	1
20	Fuser, 220-240V	RM1-5364-000CN	1
21	Pickup assembly	RM1-3043-000CN	1
22	Roller, pickup, printer (product base)	RL1-0266-000CN	1
23	Guide, tray right	RC1-8390-000CN	1
501	Screw, with washer, M3X6	XB2-7300-605CN	2
502	Screw, tap, M4X10	XB4-5401-009CN	1