

Figure 8-9 Internal components (2 of 3)

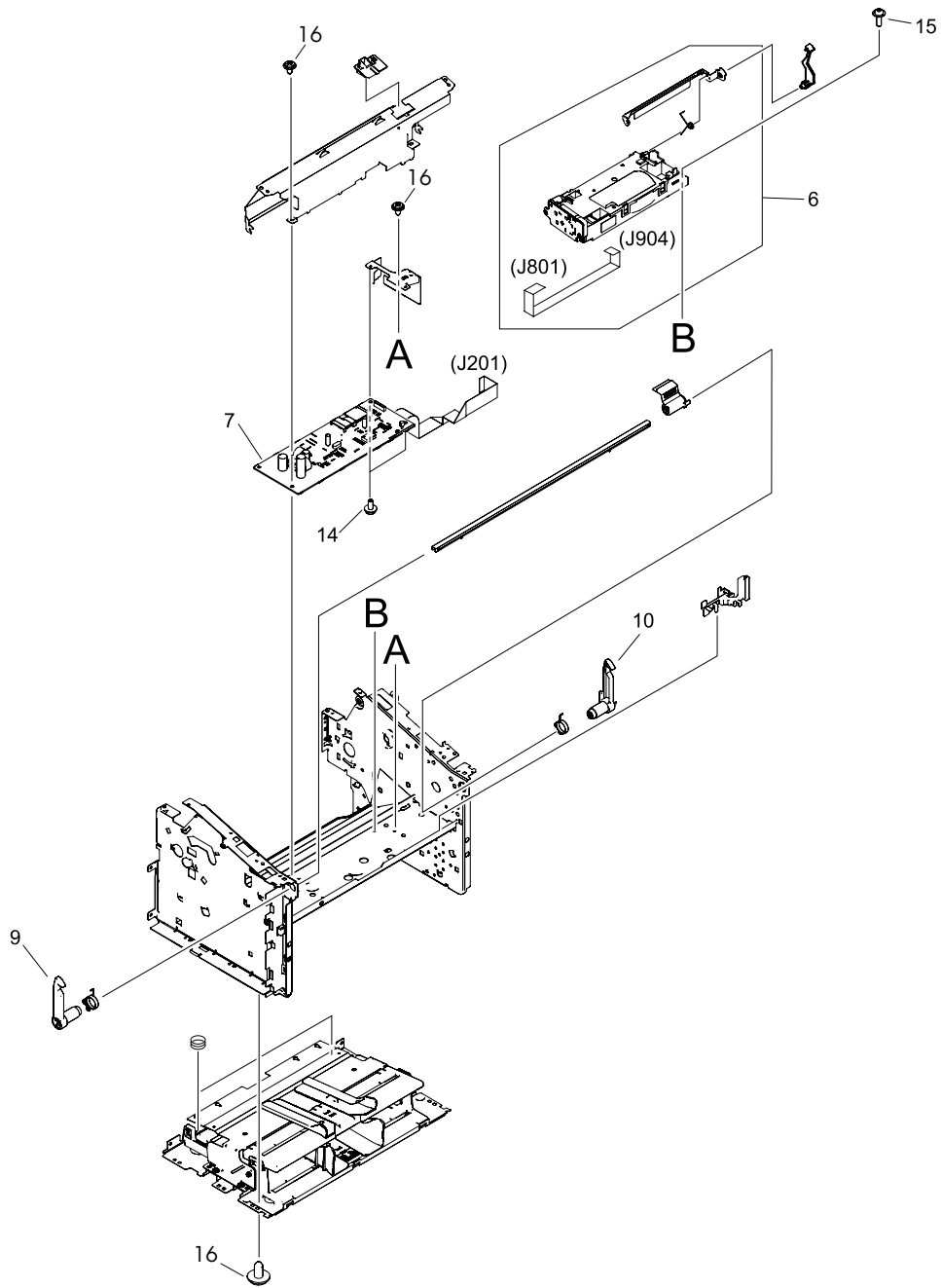


Table 8-16 Internal components (2 of 3)

Ref	Description	Part number	Qty
6	Laser/scanner assembly	RM1-2033-030CN	1
7	Engine-controller-PCB assembly	RM1-3404-000CN	1
9	Latch, left	RC1-2498-000CN	1
10	Latch, right	RC1-2499-000CN	1
14	Screw, rs, M3X8	XA9-1420-000CN	2
15	Screw, rs, M2X10	XA9-1501-000CN	4
16	Screw, D	XA9-1670-000CN	11