

External covers and panels

Figure 7-17 External covers and panels

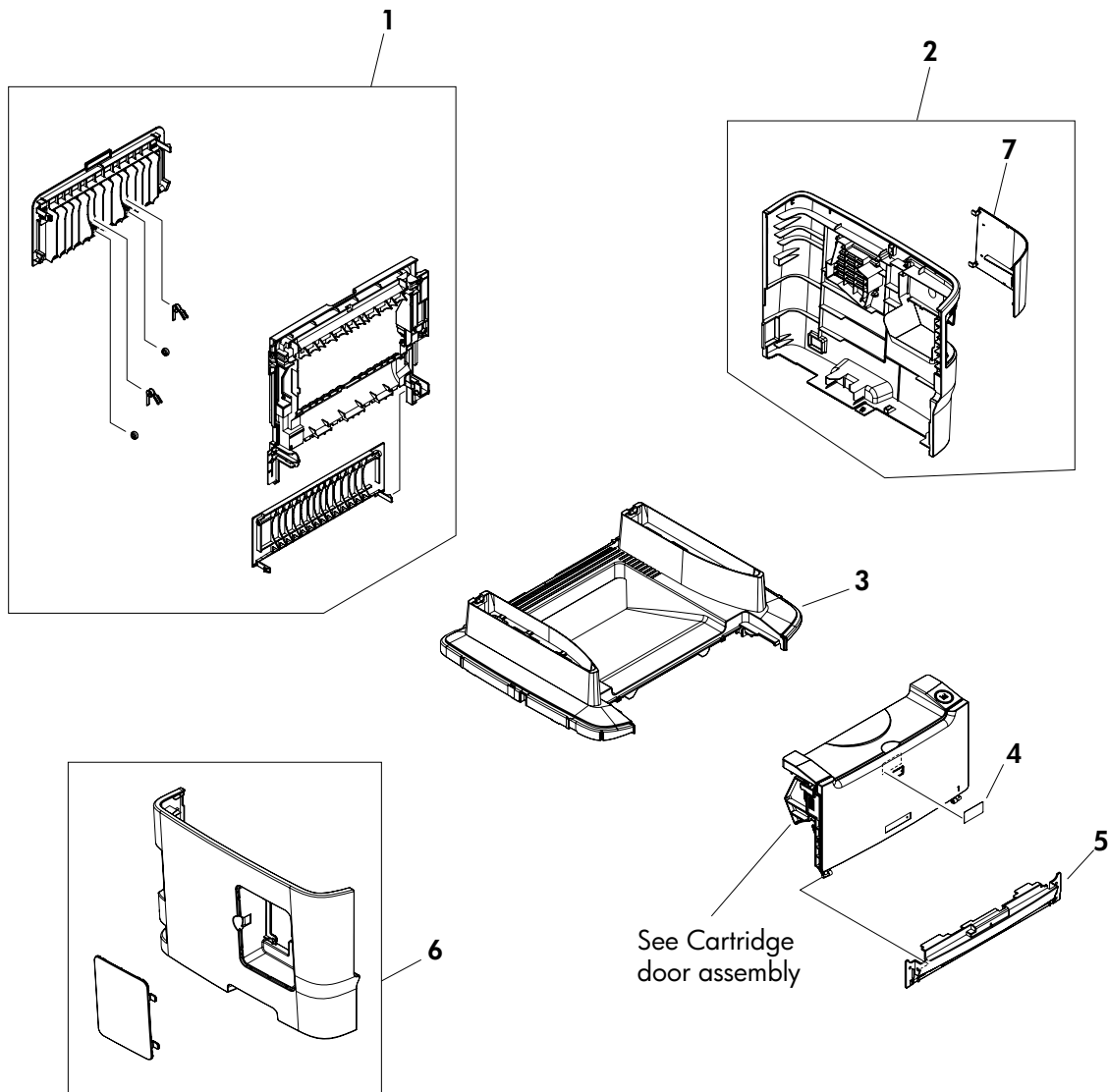


Table 7-23 External covers and panels

| Ref | Description | Part number | Qty |
|------------|---|--------------------|------------|
| 1 | Rear cover assembly | RM1-4270-000CN | 1 |
| 2 | Cover right (with dummy stapler cover) | RM1-4708-000CN | 1 |
| 3 | Cover top | RC2-2940-000CN | 1 |
| 4 | Label, stapler prohibition | RC1-3794-000CN | 1 |
| 5 | Cover front | RC2-0330-000CN | 1 |
| 6 | Cover left (with DIMM door) | RC1-4707-000CN | 1 |
| 7 | Cover dummy (stapler plug; HP LaserJet M2727nf) | RC1-7523-000CN | 1 |