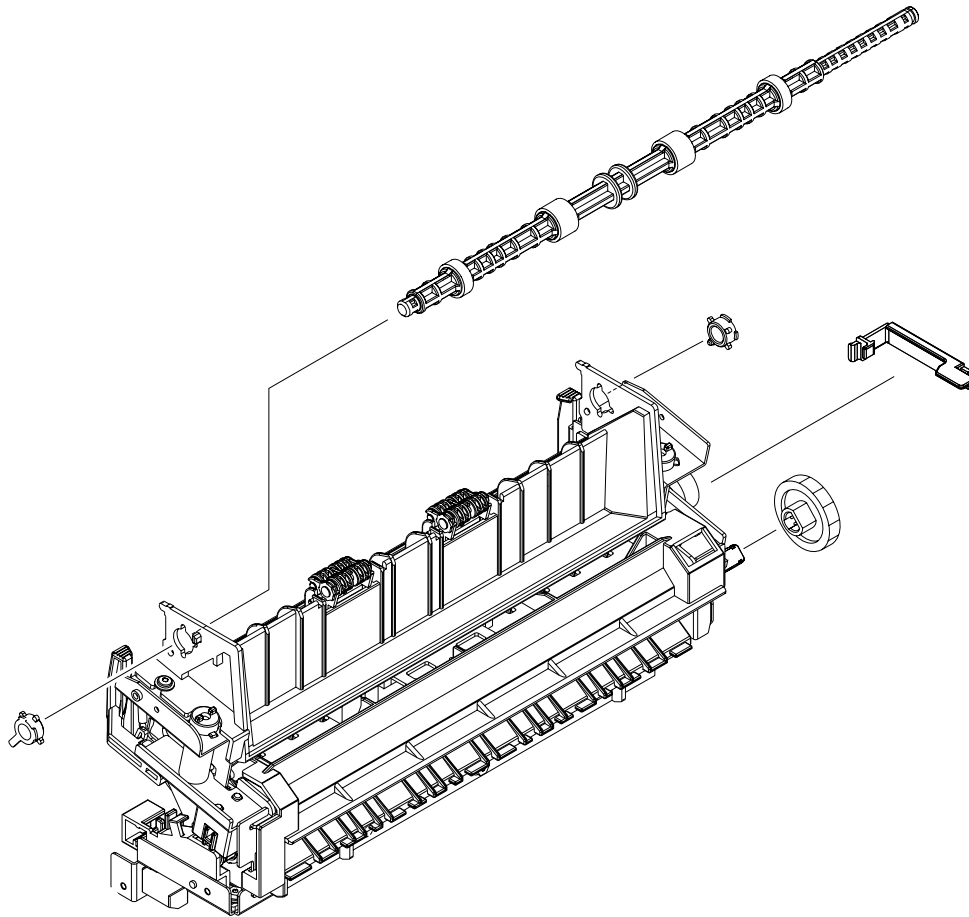


# Fuser assembly

Figure 7-28 Fuser assembly



**Table 7-34 Fuser assembly**

<b>Ref</b>	<b>Description</b>	<b>Part number</b>	<b>Qty</b>
all	Fuser (110 to 127 v)	RM1-4247-000CN	1
all	Fuser (220 to 240 v)	RM1-4248-000CN	1