

Internal components (3 of 4)

Figure 7-21 Internal components (3 of 4)

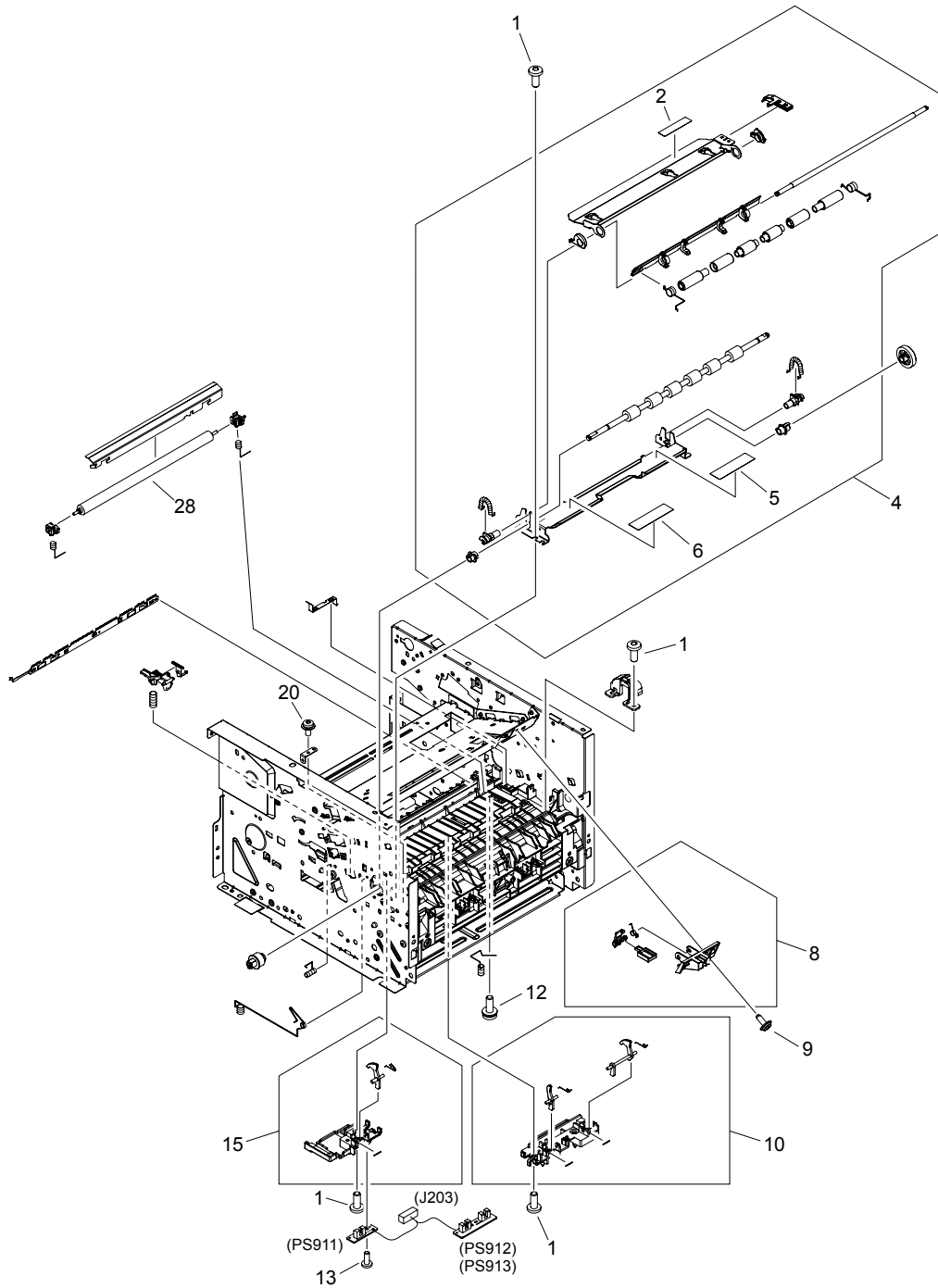


Table 7-27 Internal components (3 of 4)

Ref	Description	Part number	Qty
1	Screw, tapping truss head M4X10	XB4-7401-005CN	7
2	Label, transfer guide open	RC1-3796-000CN	1
4	Registration assembly	RM1-4244-000CN	1
5	Label, clear jam	RC2-2952-000CN	1
6	Label, fixing (fusing) pressure release	RC1-2953-000CN	1
8	Shutter link assembly	RM1-1321-000CN	1
9	Screw, RS M3X8	XA9-1504-000CN	1
10	Top-sensor assembly	RM1-1283-000CN	1
12	Screw, w/washer M4X12	XA9-1422-000CN	1
13	Screw, tap binding head M3X8	XB4-7300-000CN	2
13	Screw, RS M3X6	XA9-1495-000CN	2
15	Paper-width sensor assembly	RM1-4245-000CN	1
20	Screw, w/washer M3X8	XA9-1420-000CN	1
28	Roller, transfer	RM1-4279-000CN	1