

Backbone assembly (ADF)

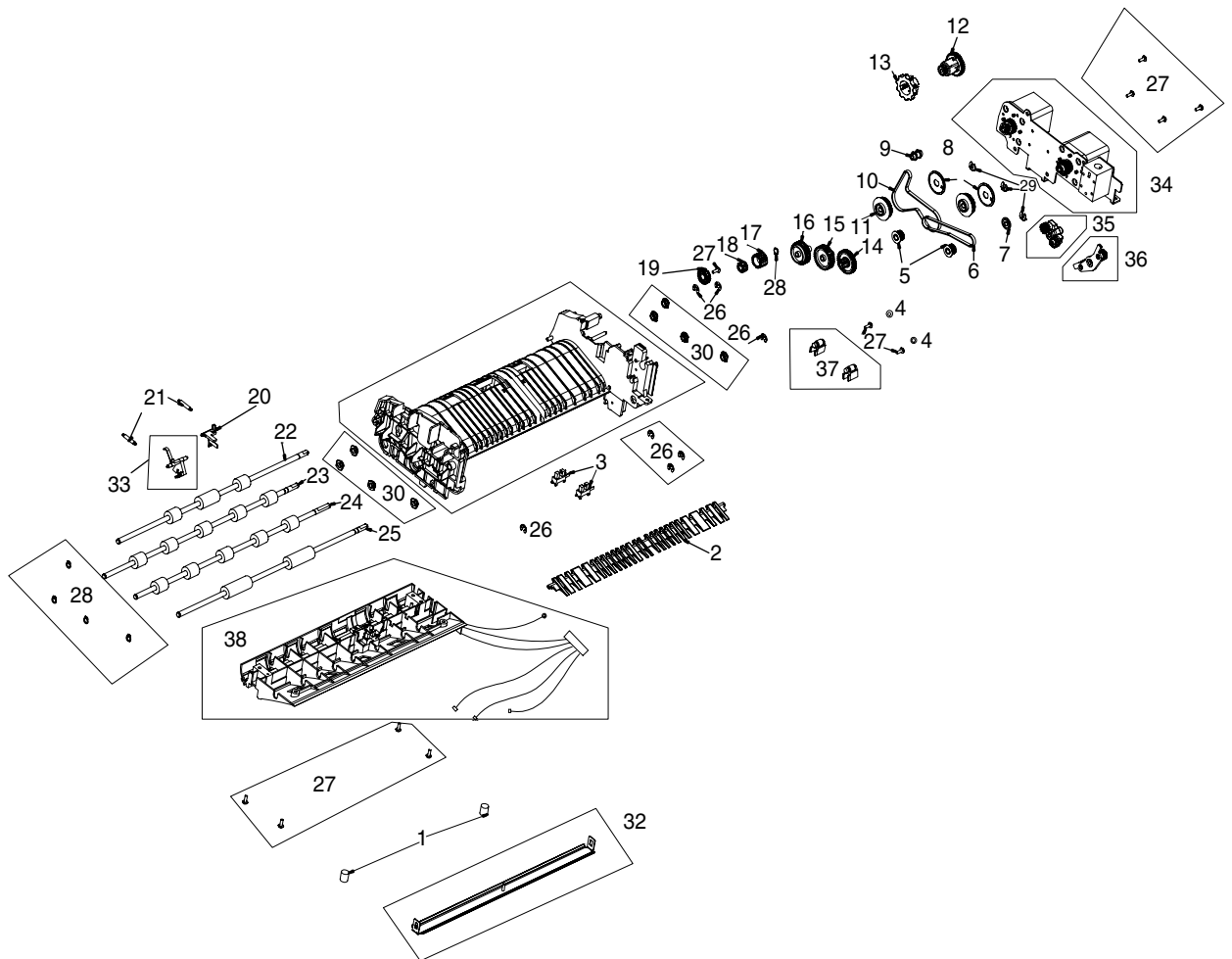


Figure 7-5 Backbone assembly (ADF)

Table 7-7 Backbone assembly (ADF)

Ref	Description	Part number	Qty
1	Spring, float		2
2	ADF diverter	Q7829-67918	1
3	ADF photo interrupter w/connector	Q7829-67914	1
4	Washer, lock 3X5M with external tooth		2
5	Pulley, exit		1
6	Belt, exit		1
7	Retainer, belt exit pulley D1		1
8	Retainer, belt exit pulley D2		2
9	Pulley, belt		1
10	Belt, feed		1
11	Pulley, drive tire		2
12	Gear, 35T - 14T		1
13	Gear, 30T - 12T		1
14	Gear, 30T - 12T		1
15	Gear, 36T		1
16	Gear, 34T		1
17	Gear, 20T		1
18	Gear, deskew 14T		1
19	Gear, 22T		1
20	Flag, prescan		1
21	Spring, tension		2
22	Drivetrain assembly, deskew		1
23	Drivetrain assembly, prescan		1
24	Drivetrain assembly, post scan		1
25	Drivetrain assembly, exit		1
26	E-clip		7
27	Screw, M3X9 PT pan head phillips		11
28	Circle clip		5
29	Retainer STS		3
30	Bushing, feed shaft		8
31	Nyogel (55cc syringe)		1
32	ADF float assembly	Q7829-67917	1