

Base assembly (ADF)

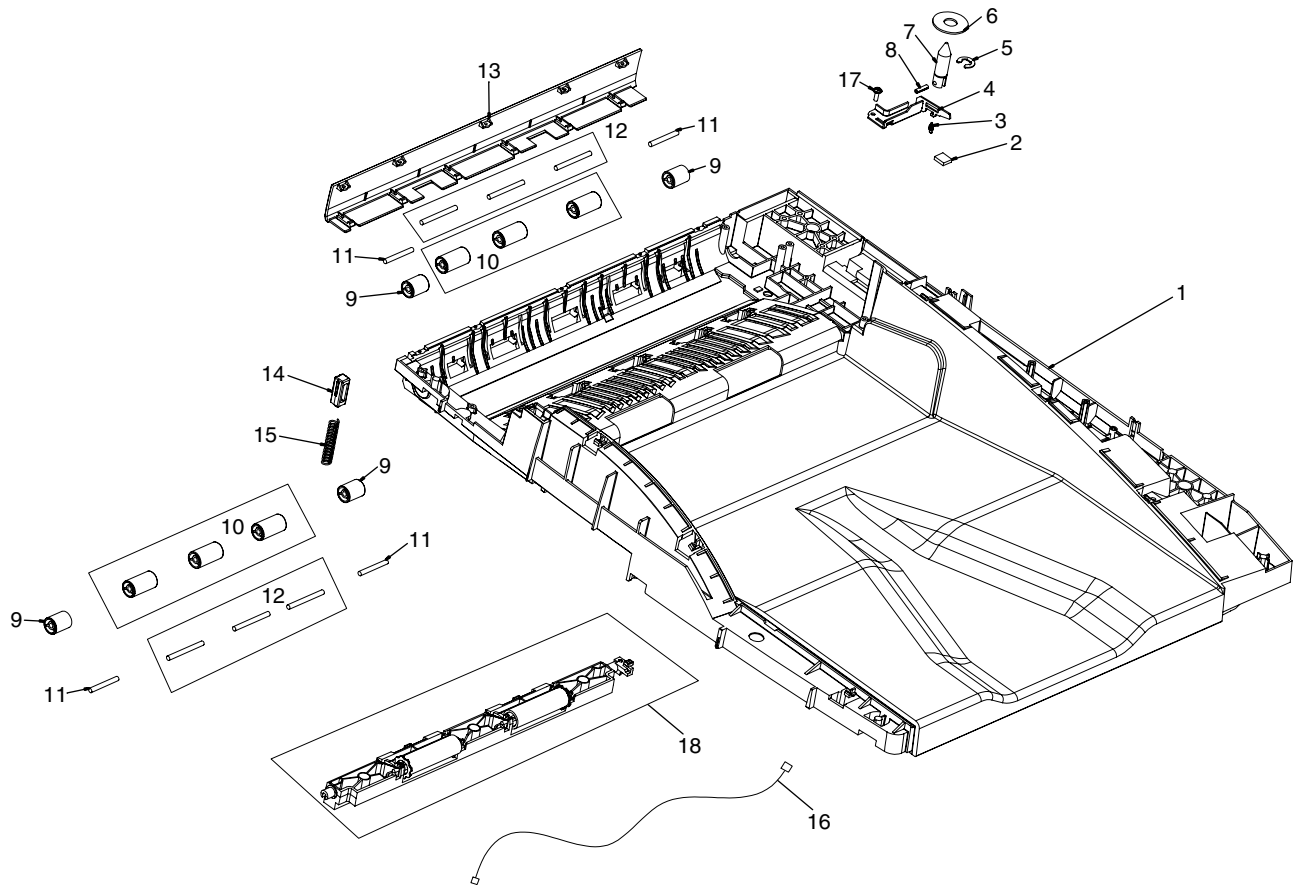


Figure 7-4 Base assembly (ADF)

Table 7-6 Base assembly (ADF)

Ref	Description	Part number	Qty
1	Enclosure, base		1
2	Pad, solenoid		1
3	Spring, extension		1
4	Exit crank		1
5	E-clip		1
6	Damper solenoid		1
7	Solenoid		1
8	Pin 3X12 mm		1
9	Wheel, pinch		4
10	Wheel, pinch L		6
11	Spring, axle		4
12	Spring, axle L		6
13	Cover, left	Q7829-67906	1
14	Plunger, input tray		1
15	Spring, input tray		1
16	Cable, LED and media eject		1
17	Screw, M3X9 PT pan head phillips		1

¹ To order components (other than the left cover) for this assembly, you must order a replacement ADF (Q7829-67901).



NOTE Not all components listed in the parts tables can be ordered. If a component listed has an associated part number, then it is a field replaceable unit (FRU) and can be ordered. If the component does not have an associated part number, you must order the FRU that includes the desired component.