

Pickup roller assembly (ADF)

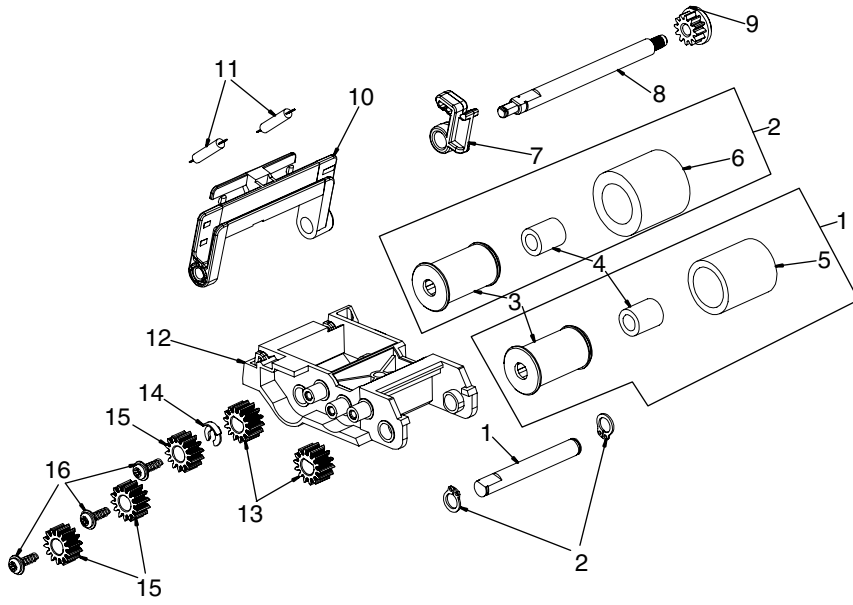


Figure 7-7 Pickup roller assembly (ADF)

Table 7-9 Pickup roller assembly (ADF)

Ref	Description	Part number	Qty
All	ADF cover pickup roller (part of the ADF maintenance kit)	Q7842-67902	1
1	Shaft, pick		1
2	Circle clip		2
3	Hub, separation		2
4	Clutch, single direction		2
5	Tire, pick		1
6	Tire, separation		1
7	Latch, pickup		1
8	Shaft, pickup		1
9	Gear, pick shaft 12T		1
10	Body, slider		1
11	Spring, bias pick		2
12	Holder, pick		1
13	Gear, deskew 14T		2
14	Retainer STS		1
15	Gear, swing 14T		3
16	Screw, M3X9 PT pan head phillips #2		3

¹ The ADF pickup roller is part of the ADF maintenance kit (which also includes the ADF separation pad).



NOTE Not all components listed in the parts tables can be ordered. If a component listed has an associated part number, then it is a field replaceable unit (FRU) and can be ordered. If the component does not have an associated part number, you must order the FRU that includes the desired component.