

Fuser pressure release assembly (print engine)

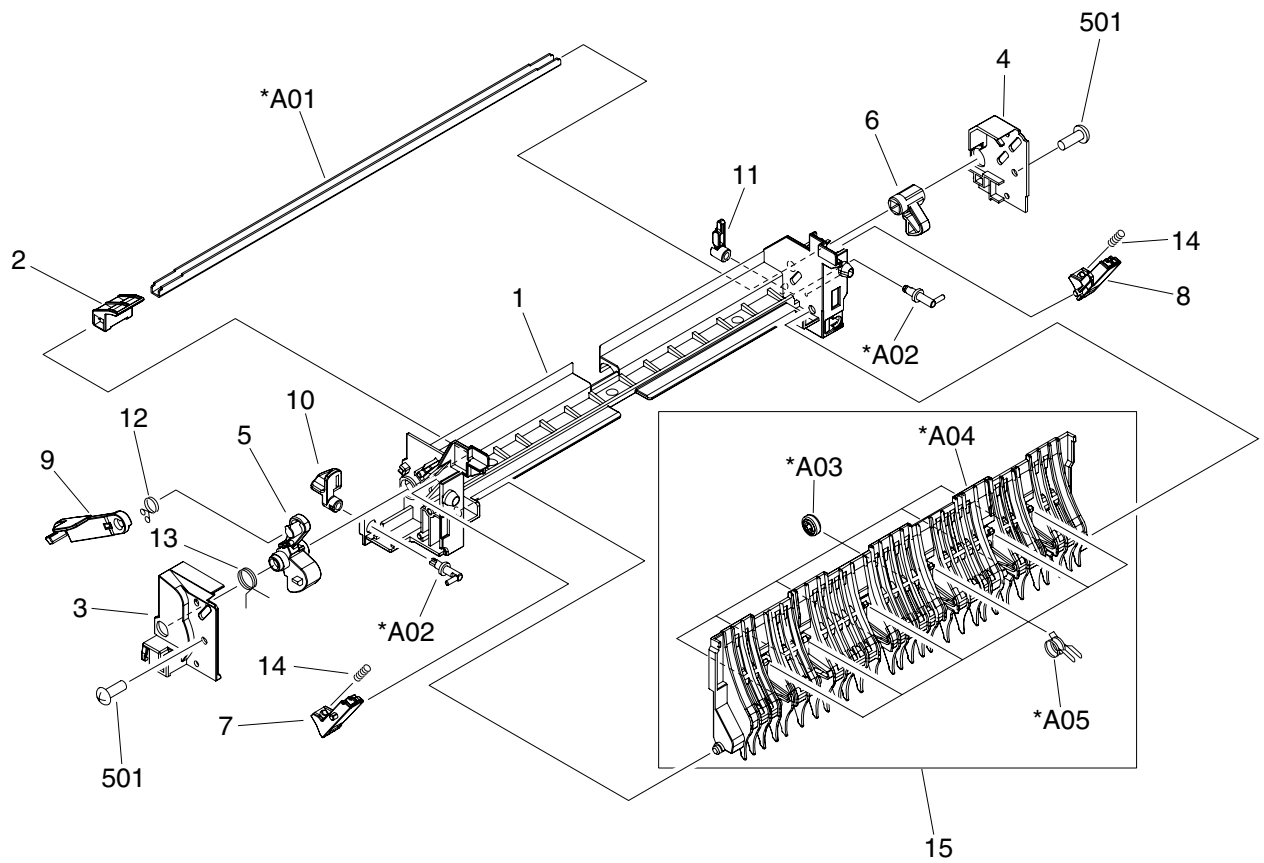


Figure 7-38 Fuser pressure release assembly (print engine)

Table 7-40 Fuser pressure release assembly (print engine)

Ref	Description	Part number	Qty
All	Fuser pressure release assembly	RM1-2973-000CN	1
1	Frame, pressure release		1
2	Cam, intermediate guide		1
3	Plate, fixed, front		1
4	Plate, fixed, rear		1
5	Cam, pressure release, front		1
6	Cam, pressure release, rear		1
7	Arm, pressure release, front		1
8	Arm, pressure release, rear		1
9	Link, pressure release		1
10	Lever, front		1
11	Lever, rear		1
12	Spring, torsion		1
13	Spring, torsion		1
14	Spring, compression		2
15	Intermediate guide assembly		1
501	Screw, tapping, truss head, M4X10		2
A01	Shaft, pressure release		1
A02	Shaft, lock		1
A03	Roller		6
A04	Guide, intermediate		1
A05	Spring, torsion		6



NOTE Not all components listed in the parts tables can be ordered. If a component listed has an associated part number, then it is a field replaceable unit (FRU) and can be ordered. If the component does not have an associated part number, you must order the FRU that includes the desired component.