

Fuser (print engine)

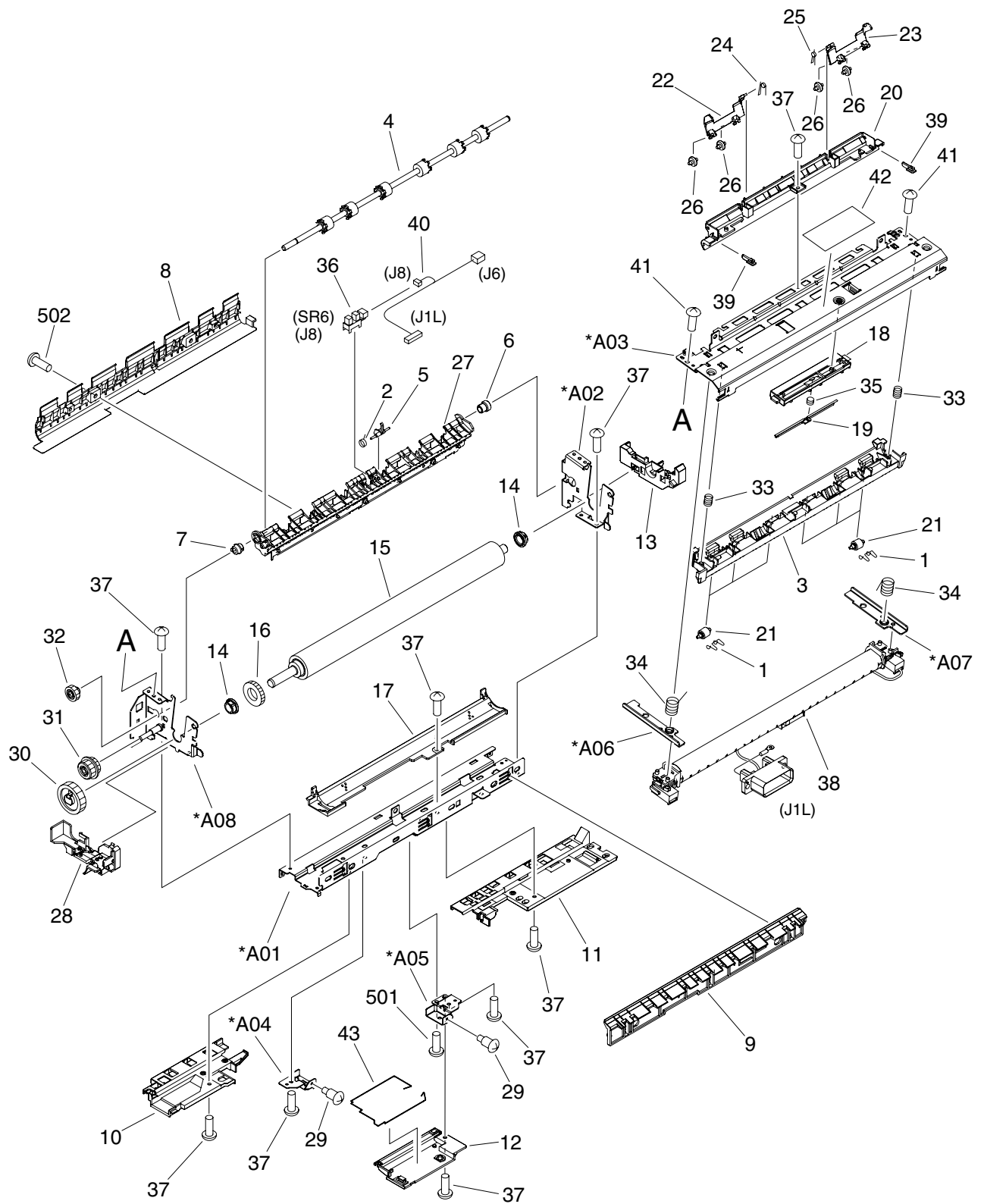


Figure 7-37 Fuser (print engine)

Table 7-39 Fuser (print engine)

Ref	Description	Part number	Qty
	Fuser assembly (110V-127V)	RM1-3007-000CN	1
	Fuser assembly (220V-240V)	RM1-3008-000CN	1
1	Spring, compression		6
2	Spring, torsion		1
3	Guide, separation, upper		1
4	Roller, face-up paper delivery		1
5	Lever, paper delivery sensor		1
6	Bushing		1
7	Bushing		1
8	Guide, reverse		1
9	Guide, fuser entrance		1
10	Holder, fuser cable		1
11	Holder, fuser cable		1
12	Cover, fuser drawer		1
13	Guide, fuser, right		1
14	Bushing		2
15	Roller, pressure		1
16	Ring, conductive rubber		1
17	Duct, fuser		1
18	Holder, wrap stopper		1
19	Arm, wrap stopper		1
20	Duct, separation, upper		1
21	Roller, face-up		6
22	Guide, flapper, left		1
23	Guide, flapper, right		1
24	Spring, torsion		1
25	Spring, torsion		1
26	Roller, flapper guide		4
27	Guide, separation, lower		1
28	Guide, fuser, left		1
29	Screw, stepped		2
30	Gear, 29T		1
31	Gear, 18T/16T		1
32	Gear, 16T		1

Ref	Description	Part number	Qty
33	Spring, compression		2
34	Spring, compression		2
35	Spring, compression		1
36	IC, photo interrupter		1
37	Screw, D, M3X6		11
38	Film guide assembly		1
39	Rib, separation duct, upper		2
40	Cable, fuser DC		1
41	Screw, TP, M4X6		2
42	Label, high temperature caution		1
43	Cable, fuser drawer grounding		1
501	Screw, w/washer, M3X6		1
502	Screw, tapping, truss head, M4X10		2
A01	Frame, fuser, center		1
A02	Frame, fuser, right		1
A03	Plate, fuser pressure		1
A04	Cross member, fuser drawer, left		1
A05	Cross member, fuser drawer, right		1
A06	Plate, pressure release, left		1
A07	Plate, pressure release, right		1
A08	Frame, fuser, left		1



NOTE Not all components listed in the parts tables can be ordered. If a component listed has an associated part number, then it is a field replaceable unit (FRU) and can be ordered. If the component does not have an associated part number, you must order the FRU that includes the desired component.