

High capacity input (HCI) 3X500 feeder main body

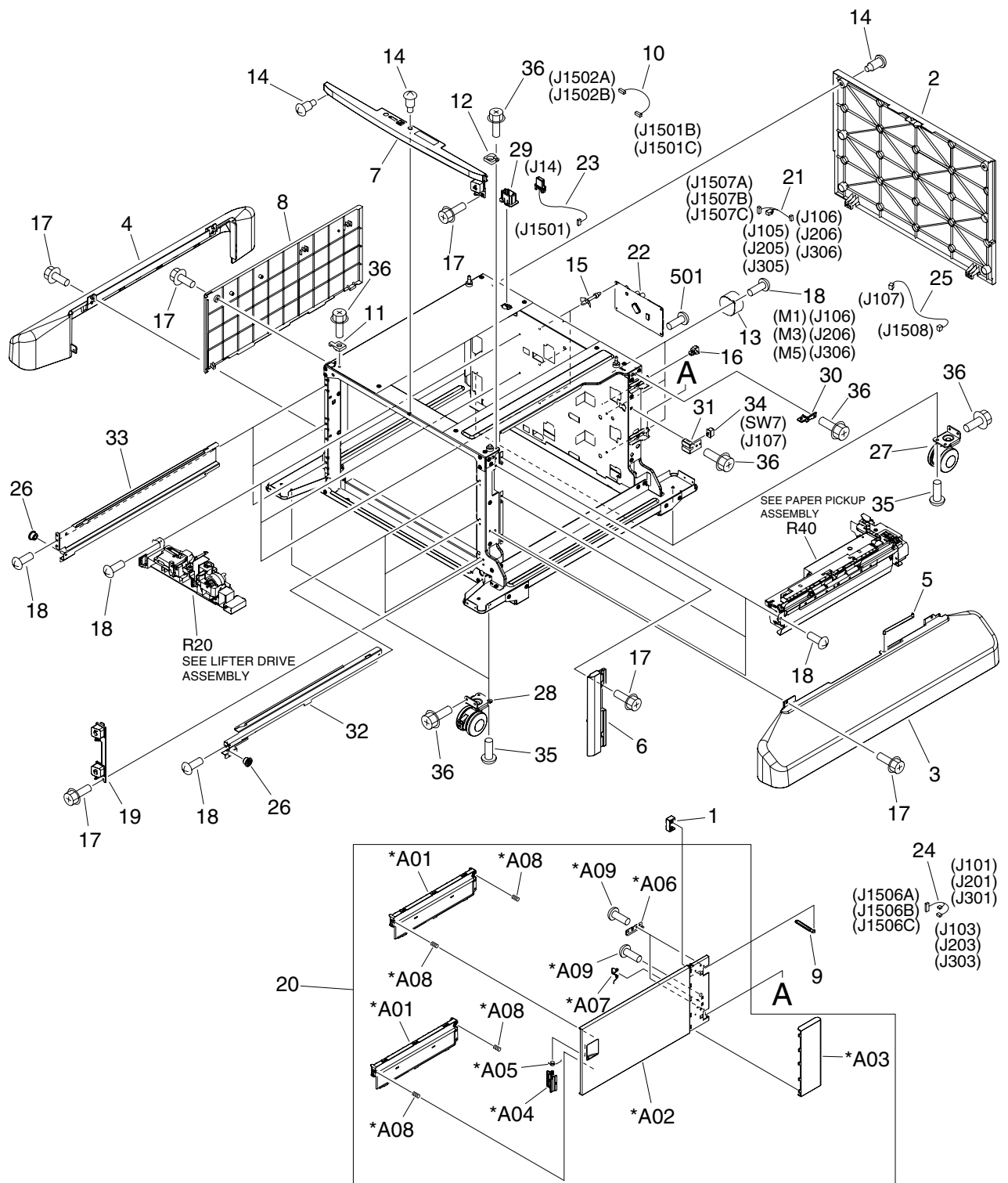


Figure 7-40 3X500 HCI main body

Table 7-42 3X500 HCI main body

Ref	Description	Part number	Qty
All	HCI main body		1
1	Stopper, right door	RC1-9882-000CN	1
2	Cover, rear	RC2-0151-000CN	1
3	Cover, right lower	RC2-0152-000CN	1
4	Cover, left lower	RC2-0153-000CN	1
5	Link, right door	RC2-0160-000CN	3
6	Cover, right front	RC2-0161-000CN	1
7	Cover, front upper	RC2-0162-000CN	1
8	Cover, left	RC2-0163-000CN	1
9	Link, right door, upper	RC2-0170-000CN	1
10	Cable, option interface		2
11	Spacer, reinforcement, left		1
12	Spacer, reinforcement, right		1
13	Motor, stepping, DC	RK2-1331-000CN	3
14	Screw, stepped		4
15	Support, PCA		6
16	Saddle, wire		1
17	Screw, RS, M4X8		11
18	Screw, TP, M3X6		27
19	Plate, number indication		1
20	Right door assembly	RM1-3824-000CN	1
21	Cable, paper pickup option		3
22	Paper feed PCA assembly	RM1-3641-000CN	3
23	Cable, power interface		1
24	Cable, multi-sensor		3
25	Cable, door open switch		1
26	Roller, rail	RC1-9231-000CN	6
27	Caster, rear	RC1-9917-000CN	2
28	Caster, front	RC2-0134-000CN	2
29	Holder, drawer	RC2-0167-000CN	1
30	Stopper, right door link upper	RC2-0169-000CN	1
31	Plate, switch cover		1
32	Rail, cassette, right	RL1-1390-000CN	3
33	Rail, cassette, left	RL1-1391-000CN	3

Ref	Description	Part number	Qty
34	Switch, bottom	WC2-5512-000CN	1
35	Screw, w/washer, M5X12		8
36	Screw, w/washer, M5X12		3
501	Screw, w/washer, M3X6		6
A01	Guide, paper feed		2
A02	Door, right		1
A03	Cover, right rear		1
A04	Latch, right door		1
A05	Spring, torsion		1
A06	Plate, hinge		2
A07	Spring, torsion		1
A08	Spring, compression		4
A09	Screw		5



NOTE Not all components listed in the parts tables can be ordered. If a component listed has an associated part number, then it is a field replaceable unit (FRU) and can be ordered. If the component does not have an associated part number, you must order the FRU that includes the desired component.