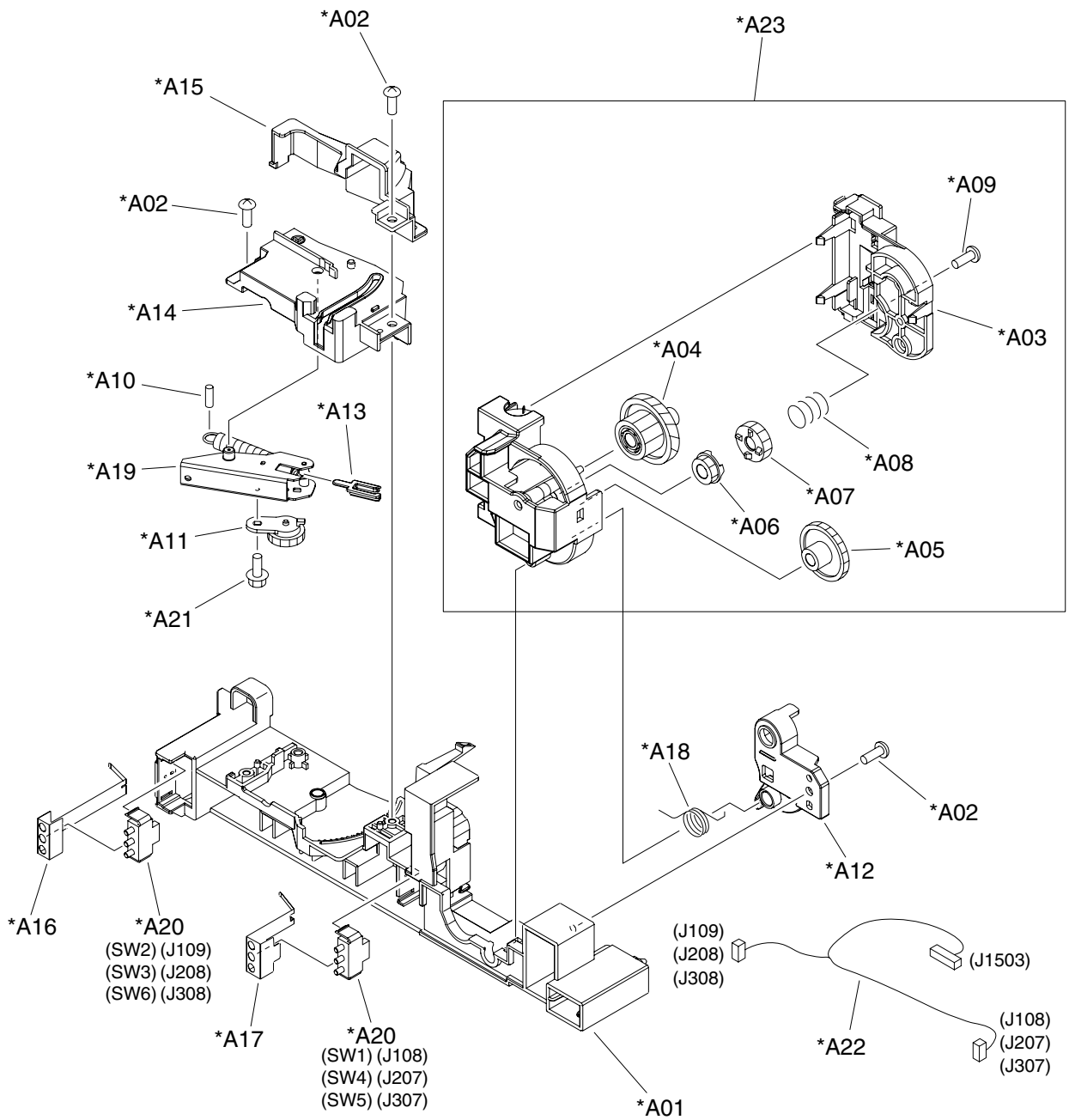


# Lifter drive assembly (HCI)



**Figure 7-41** Lifter drive assembly (HCI)

**Table 7-43** Lifter drive assembly (HCI)

Ref	Description	Part number	Qty
All	Lifter drive assembly (1X500)	RM1-3819-000CN	1
All	Lifter drive assembly (3X500)	RM1-3819-000CN	3
A01	Base, lifter		1
A02	Screw		3
A04	Gear, 16T/46T		1
A05	Gear, 14T/53T		1
A06	Gear, 23T		1
A07	Gear, 33T		1
A08	Spring, compression		1
A09	Screw, w/washer, M3X6		2
A10	Pin, dowel		1
A11	Gear, 17T		1
A12	Stopper, lifter swing		1
A13	Hook		1
A14	Cover, lifter drive		1
A15	Cover, lifter drive, rear		1
A16	Spring, grounding		1
A17	Spring, grounding		1
A18	Spring, torsion		1
A19	Arm, toggle		1
A20	Switch, push		2
A21	Screw, RS, M3X8		1
A22	Cable, paper size sensor		1
A23	Lifter assembly		1



**NOTE** Not all components listed in the parts tables can be ordered. If a component listed has an associated part number, then it is a field replaceable unit (FRU) and can be ordered. If the component does not have an associated part number, you must order the FRU that includes the desired component.