

Internal components (print engine 1 of 3)

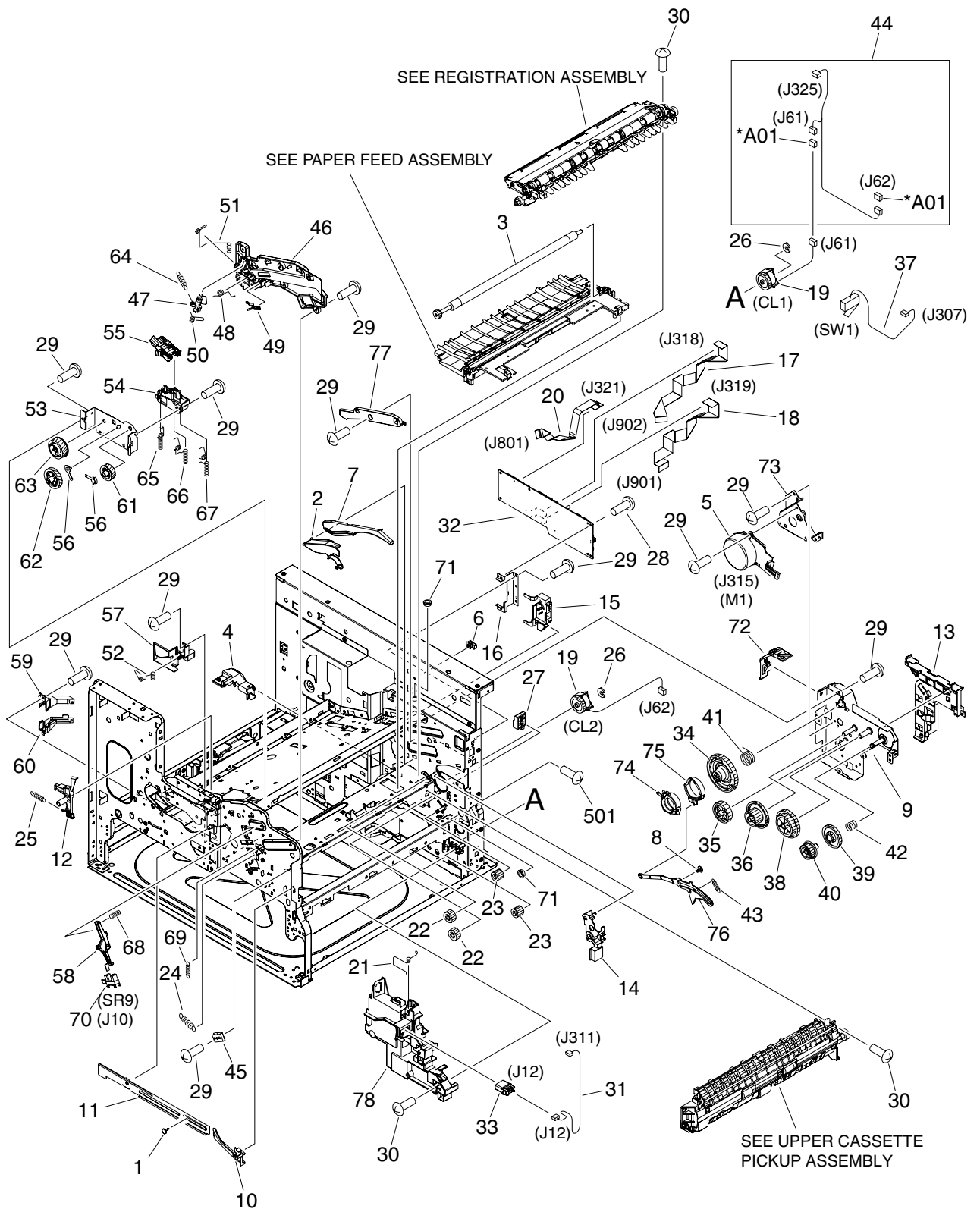


Figure 7-23 Internal components (1 of 3) (print engine)

Table 7-25 Internal components (1 of 3) (print engine)

Ref	Description	Part number	Qty
1	Stopper, busing arm	RC1-3090-000CN	1
2	Cover, gear, right upper	RC1-7019-000CN	1
3	Roller, transfer	RM1-2485-000CN	1
4	Cap, paper feed guide	RC1-7141-000CN	1
5	Main motor assembly	RM1-2516-000CN	1
6	Clip, cable		1
7	Guide, cartridge, right lower	RC1-7286-000CN	1
8	Stopper, link	RC1-7288-000CN	1
9	Plate, gear	RL1-0951-000CN	1
10	Guide, cartridge door stopper	RC1-8022-000CN	1
11	Link, fuser drive release		1
12	Lever, fuser shutter	RC1-8032-000CN	1
13	Guide, cable		1
14	Cover, gear, rear	RC1-8164-000CN	1
15	Mount, interlock guide	RC1-8165-000CN	1
16	Support, DC controller		1
17	Cable, flexible flat, 21P	RK2-1053-000CN	1
18	Cable, flexible flat, 23P	RK2-1055-000CN	1
19	Clutch, electromagnetic	RK2-1281-000CN	2
20	Cable, flexible flat, 15P	RK2-1283-000CN	1
21	Spring, grounding	RC1-8052-000CN	1
22	Gear, 14T	RU5-0564-000CN	2
23	Gear, 15T	RU5-0553-000CN	2
24	Spring, tension	RU5-2660-000CN	1
25	Spring, tension	RU5-2663-000CN	1
26	Ring, E	RC1-8358-000CN	2
27	Holder, stopper		1
28	Screw, tap, M3X6		2
29	Screw, D, M3X6		122
30	Screw, M3X8		22
31	Cable, duplexing interface		1
32	DC controller PCA assembly	RM1-3459-000CN	1
33	Connector, drawer	VS1-7258-007CN	1
34	Gear, 133T	RU5-0546-000CN	1

Ref	Description	Part number	Qty
35	Gear, 73T	RU5-0547-000CN	1
36	Gear, 96T/52T	RU5-0548-000CN	1
37	Switch, fuser door	RM1-3474-000CN	1
38	Gear, 99T/40T	RU5-0549-000CN	1
39	Gear, 43T	RU5-0550-000CN	1
40	Gear, 26T	RU5-0551-000CN	1
41	Spring, compression	RU5-2630-000CN	1
42	Spring, compression	RU5-2631-000CN	1
43	Spring, tension	RU5-2632-000CN	1
44	Cable, feed clutch extension		1
45	Plate, grounding	RC1-7021-000CN	1
46	Guide, cartridge, left	RC1-7121-000CN	1
47	Paddle	RC1-7122-000CN	1
48	Spring, torsion	RC1-7123-000CN	1
49	Spring, grounding	RC1-7124-000CN	1
50	Spring, torsion	RC1-7125-000CN	1
51	Spring, compression	RC1-7126-000CN	1
52	Spring, compression	RC1-7127-000CN	1
53	Side plate, transfer drive	RC1-7129-000CN	1
54	Holder, contact	RC1-7241-000CN	1
55	Cover	RC1-7265-000CN	1
56	Bushing	RC1-7443-000CN	2
57	Holder, spring	RC1-8026-000CN	1
58	Arm, lock	RC1-8034-000CN	1
59	Duct, high-voltage, upper	RC1-8344-000CN	1
60	Duct, high-voltage, lower	RC1-8345-000CN	1
61	Gear, 25T	RU5-0537-000CN	1
62	Gear, 35T	RU5-0538-000CN	1
63	Gear, 33T	RU5-0539-000CN	
64	Spring, tension	RU5-2575-000CN	1
65	Spring, compression	RU5-2587-000CN	1
66	Spring, compression	RU5-2588-000CN	1
67	Spring, compression	RU5-2589-000CN	1
68	Spring, compression	RU5-2590-000CN	1
69	Spring, tension	RU5-2591-000CN	1

Ref	Description	Part number	Qty
70	Photo interrupter, TL1243	WG8-5696-000CN	1
71	Bushing		2
72	Guide, high voltage FFC		1
73	Plate, motor		1
74	Bushing	RC1-7283-000CN	1
75	Cam	RC1-7284-000CN	1
76	Lever, coupling	RC1-7285-000CN	1
77	Guide, cartridge, right upper	RC1-7287-000CN	1
78	Guide, rear	RC1-8046-000CN	1
501	Screw, tapping, truss head, M4X10	XB4-7401-005CN	2
A01	Connector, snap tight, BK		2



NOTE Not all components listed in the parts tables can be ordered. If a component listed has an associated part number, then it is a field replaceable unit (FRU) and can be ordered. If the component does not have an associated part number, you must order the FRU that includes the desired component.