

Internal components (print engine; 3 of 3)

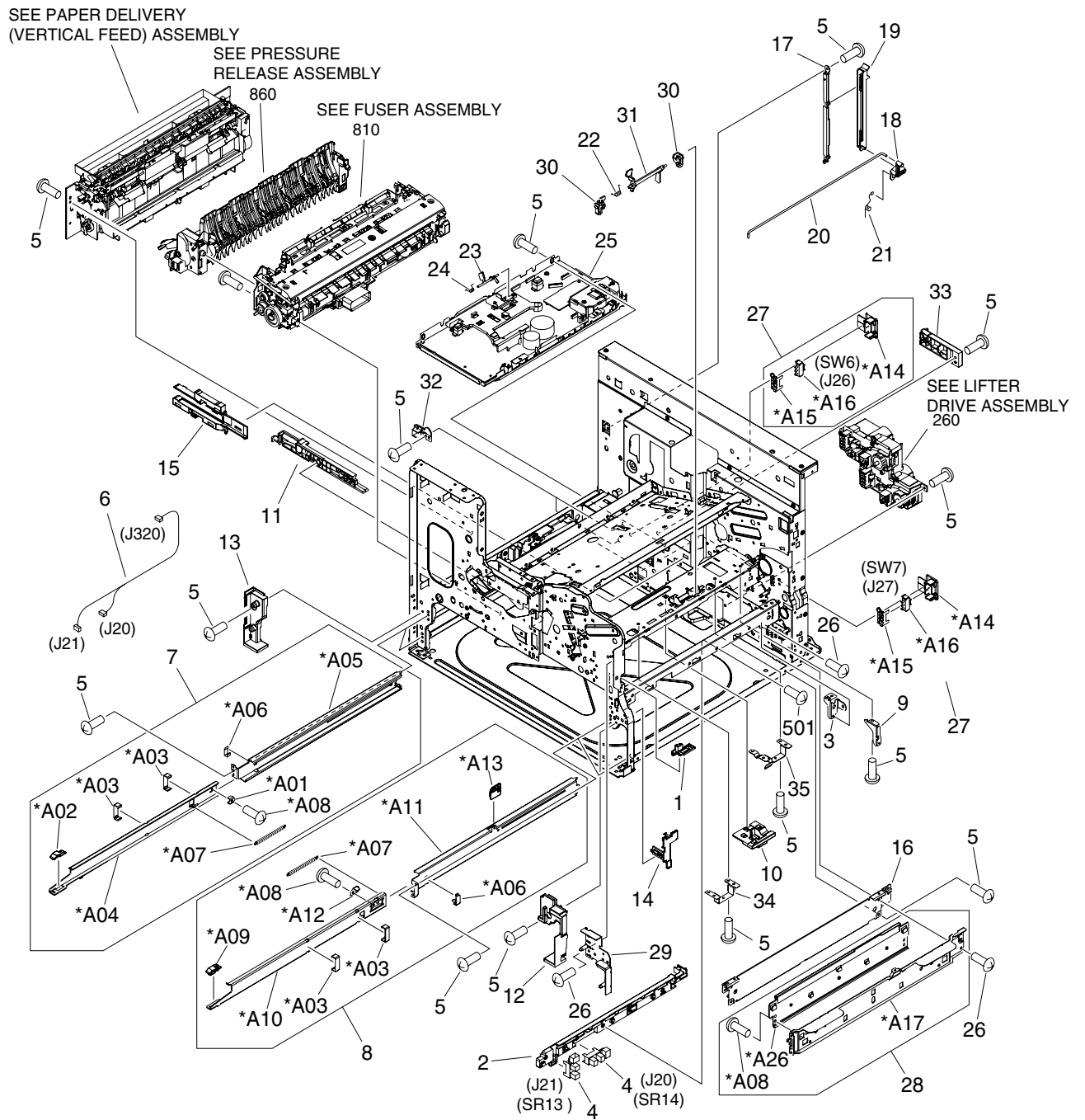


Figure 7-25 Internal components (3 of 3) (print engine)

Table 7-27 Internal components (3 of 3) (print engine)

Ref	Description	Part number	Qty
1	Cam, pad return, upper		1
2	Holder, sensor		1
3	Plate, frame auxiliary		1
4	Photo interrupter, TLP1243	WG8-5696-000CN	2
5	Screw, D, M3X6		6
6	Cable, feed sensor		1
7	Left cassette rail assembly	RM1-2970-000CN	2
8	Right cassette rail assembly	RM1-2971-000CN	2
9	Plate, cross member auxiliary	RC1-7264-000CN	1
10	Holder, top sensor	RC1-7268-000CN	1
11	Guide, duplexer, front	RC1-8027-000CN	1
12	Holder, cassette, right front	RC1-8035-000CN	1
13	Holder, cassette, left front	RC1-8036-000CN	1
14	Cam, pad return, lower	RC1-8038-000CN	1
15	Guide, duplexer, rear	RC1-8048-000CN	1
16	Guide, path, lower		1
17	Holder, power supply link guide		1
18	Joint, power supply switch		1
19	Link, power supply switch		1
20	Rod, power switch		1
21	Spring, torsion		1
22	Spring, torsion	RU5-2596-000CN	1
23	Flag, loop sensor	RC1-7144-000CN	1
24	Spring, torsion	RC1-7145-000CN	1
25	High voltage power supply assembly (110–127 V)	RM1-2957-000CN	1
25	High voltage power supply assembly (220–240 V)	RM1-2958-000CN	1
26	Screw, M3X8		6
27	Back end sensor assembly	RM1-2968-000CN	2
28	Right lower handle assembly		1
29	Plate, cassette positioning		1
30	Bushing	RC1-7249-000CN	2
31	Flag, top sensor	RC1-7261-000CN	1
32	Holder, cassette, rear		2
33	Lock, pressure release, rear		1

Ref	Description	Part number	Qty
34	Support, high voltage, left		1
35	Support, high voltage, right		1
501	Screw, tapping, truss head, M4X10		3
A01	Stopper, extension rail		2
A02	Stopper, cassette, left		2
A03	Guide, extension rail		8
A04	Rail, inner, left		2
A05	Rail, outer, left		2
A06	Guide, outer rail		4
A07	Spring, tension		4
A08	Screw, D, M3X6		4
A09	Stopper, cassette, right		2
A10	Rail, inner, right		2
A11	Rail, outer, right		2
A12	Stopper, rail, right		2
A13	Plate, cam		2
A14	Block, sensor		2
A15	Spring, grounding		2
A16	Switch, push		2
A17	Guide, paper feed		1
A18	Cross member, grip		1



NOTE Not all components listed in the parts tables can be ordered. If a component listed has an associated part number, then it is a field replaceable unit (FRU) and can be ordered. If the component does not have an associated part number, you must order the FRU that includes the desired component.