

Lower drive assembly (print engine)

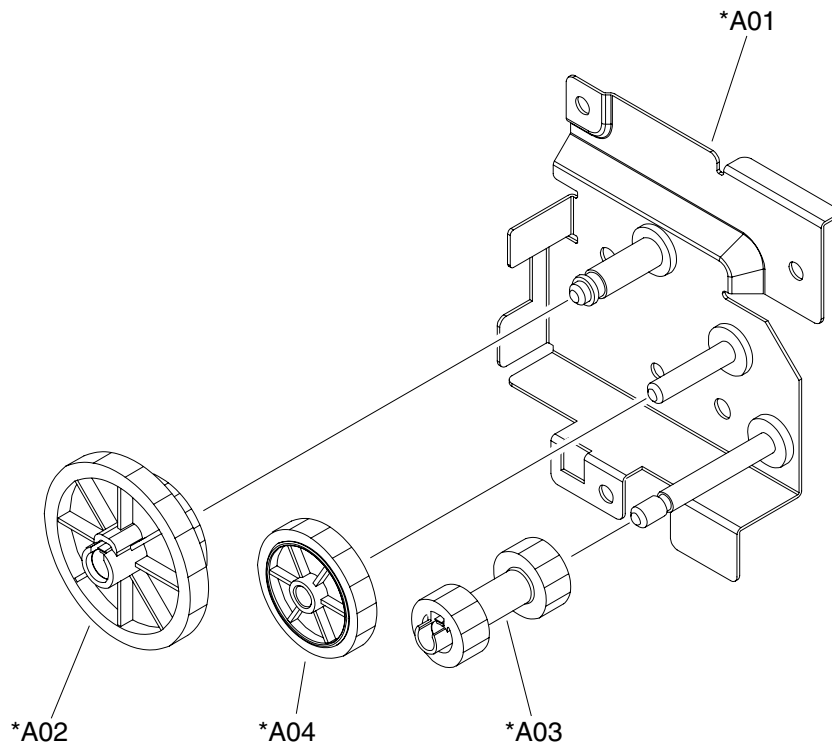


Figure 7-29 Lower drive assembly (print engine)

Table 7-31 Lower drive assembly (print engine)

Ref	Description	Part number	Qty
All	Lower drive assembly	RM1-2972-000CN	1
A01	Plate, drive, lower		1
A02	Gear, 43T/26T		1
A03	Gear, 14T/14T		1
A04	Gear, 29T		1



NOTE Not all components listed in the parts tables can be ordered. If a component listed has an associated part number, then it is a field replaceable unit (FRU) and can be ordered. If the component does not have an associated part number, you must order the FRU that includes the desired component.